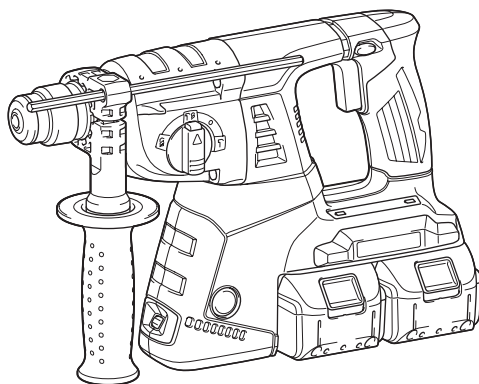


**INSTRUCTION MANUAL
MANUEL D'INSTRUCTION
MANUAL DE INSTRUCCIONES**



Cordless Combination Hammer Marteau Combiné sans Fil Martillo Rotativo Combinado Inalámbrico

**DHR263
DHR264**



IMPORTANT: Read Before Using.

IMPORTANT : Lire avant usage.

IMPORTANTE: Lea antes de usar.

SPECIFICATIONS

Model		DHR263		DHR264	
Capacities	Concrete	26 mm (1")		26 mm (1")	
	Steel	13 mm (1/2")		13 mm (1/2")	
	Wood	32 mm (1-1/4")		32 mm (1-1/4")	
No load speed (RPM)		0 - 1,250 /min		0 - 1,250 /min	
Blows per minute		0 - 5,000		0 - 5,000	
Overall length		350 mm (13-3/4")		374 mm (14-3/4")	
Net weight		4.1 kg (9.0 lbs)	4.6 kg (10.1 lbs)	4.2 kg (9.2 lbs)	4.7 kg (10.3 lbs)
Rated voltage		D.C. 36 V			
Standard battery cartridge(s) ⚠Warning: Use only the battery(ies) described.		BL1815N / BL1820B	BL1830 / BL1830B / BL1840B / BL1850B / BL1860B	BL1815N / BL1820B	BL1830 / BL1830B / BL1840B / BL1850B / BL1860B

- Due to our continuing program of research and development, the specifications herein are subject to change without notice.
- Note: Specifications and battery cartridge may differ from country to country.
- Weight, with battery cartridge, according to EPTA-Procedure 01/2003

General Power Tool Safety Warnings

⚠WARNING Read all safety warnings and all instructions. Failure to follow the warnings and instructions may result in electric shock, fire and/or serious injury.

Save all warnings and instructions for future reference.

The term "power tool" in the warnings refers to your mains-operated (corded) power tool or battery-operated (cordless) power tool.

Work area safety

1. **Keep work area clean and well lit.** Cluttered or dark areas invite accidents.
2. **Do not operate power tools in explosive atmospheres, such as in the presence of flammable liquids, gases or dust.** Power tools create sparks which may ignite the dust or fumes.
3. **Keep children and bystanders away while operating a power tool.** Distractions can cause you to lose control.

Electrical safety

4. **Power tool plugs must match the outlet. Never modify the plug in any way. Do not use any adapter plugs with earthed (grounded) power tools.** Unmodified plugs and matching outlets will reduce risk of electric shock.
5. **Avoid body contact with earthed or grounded surfaces such as pipes, radiators, ranges and refrigerators.** There is an increased risk of electric shock if your body is earthed or grounded.
6. **Do not expose power tools to rain or wet conditions.** Water entering a power tool will increase the risk of electric shock.

7. **Do not abuse the cord. Never use the cord for carrying, pulling or unplugging the power tool. Keep cord away from heat, oil, sharp edges or moving parts.** Damaged or entangled cords increase the risk of electric shock.
8. **When operating a power tool outdoors, use an extension cord suitable for outdoor use.** Use of a cord suitable for outdoor use reduces the risk of electric shock.
9. **If operating a power tool in a damp location is unavoidable, use a ground fault circuit interrupter (GFCI) protected supply.** Use of an GFCI reduces the risk of electric shock.

Personal safety

10. **Stay alert, watch what you are doing and use common sense when operating a power tool. Do not use a power tool while you are tired or under the influence of drugs, alcohol or medication.** A moment of inattention while operating power tools may result in serious personal injury.
11. **Use personal protective equipment. Always wear eye protection.** Protective equipment such as dust mask, non-skid safety shoes, hard hat, or hearing protection used for appropriate conditions will reduce personal injuries.
12. **Prevent unintentional starting. Ensure the switch is in the off-position before connecting to power source and/or battery pack, picking up or carrying the tool.** Carrying power tools with your finger on the switch or energising power tools that have the switch on invites accidents.
13. **Remove any adjusting key or wrench before turning the power tool on.** A wrench or a key left attached to a rotating part of the power tool may result in personal injury.
14. **Do not overreach. Keep proper footing and balance at all times.** This enables better control of the power tool in unexpected situations.

15. **Dress properly. Do not wear loose clothing or jewellery. Keep your hair, clothing, and gloves away from moving parts.** Loose clothes, jewellery or long hair can be caught in moving parts.
16. **If devices are provided for the connection of dust extraction and collection facilities, ensure these are connected and properly used.** Use of dust collection can reduce dust-related hazards.

Power tool use and care

17. **Do not force the power tool. Use the correct power tool for your application.** The correct power tool will do the job better and safer at the rate for which it was designed.
18. **Do not use the power tool if the switch does not turn it on and off.** Any power tool that cannot be controlled with the switch is dangerous and must be repaired.
19. **Disconnect the plug from the power source and/or the battery pack from the power tool before making any adjustments, changing accessories, or storing power tools.** Such preventive safety measures reduce the risk of starting the power tool accidentally.
20. **Store idle power tools out of the reach of children and do not allow persons unfamiliar with the power tool or these instructions to operate the power tool.** Power tools are dangerous in the hands of untrained users.
21. **Maintain power tools. Check for misalignment or binding of moving parts, breakage of parts and any other condition that may affect the power tool's operation. If damaged, have the power tool repaired before use.** Many accidents are caused by poorly maintained power tools.
22. **Keep cutting tools sharp and clean.** Properly maintained cutting tools with sharp cutting edges are less likely to bind and are easier to control.
23. **Use the power tool, accessories and tool bits etc. in accordance with these instructions, taking into account the working conditions and the work to be performed.** Use of the power tool for operations different from those intended could result in a hazardous situation.

Battery tool use and care

24. **Recharge only with the charger specified by the manufacturer.** A charger that is suitable for one type of battery pack may create a risk of fire when used with another battery pack.
25. **Use power tools only with specifically designated battery packs.** Use of any other battery packs may create a risk of injury and fire.
26. **When battery pack is not in use, keep it away from other metal objects, like paper clips, coins, keys, nails, screws or other small metal objects, that can make a connection from one terminal to another.** Shorting the battery terminals together may cause burns or a fire.
27. **Under abusive conditions, liquid may be ejected from the battery; avoid contact. If contact accidentally occurs, flush with water. If liquid contacts eyes, additionally seek medical help.** Liquid ejected from the battery may cause irritation or burns.

Service

28. **Have your power tool serviced by a qualified repair person using only identical replacement parts.** This will ensure that the safety of the power tool is maintained.

29. **Follow instruction for lubricating and changing accessories.**
30. **Keep handles dry, clean and free from oil and grease.**

CORDLESS ROTARY HAMMER SAFETY WARNINGS


1. **Wear ear protectors.** Exposure to noise can cause hearing loss.
2. **Use auxiliary handle(s), if supplied with the tool.** Loss of control can cause personal injury.
3. **Hold power tool by insulated gripping surfaces, when performing an operation where the cutting accessory may contact hidden wiring.** Cutting accessory contacting a "live" wire may make exposed metal parts of the power tool "live" and could give the operator an electric shock.
4. **Wear a hard hat (safety helmet), safety glasses and/or face shield. Ordinary eye or sun glasses are NOT safety glasses.** It is also highly recommended that you wear a dust mask and thickly padded gloves.
5. **Be sure the bit is secured in place before operation.**
6. **Under normal operation, the tool is designed to produce vibration. The screws can come loose easily, causing a breakdown or accident. Check tightness of screws carefully before operation.**
7. **In cold weather or when the tool has not been used for a long time, let the tool warm up for a while by operating it under no load. This will loosen up the lubrication. Without proper warm-up, hammering operation is difficult.**
8. **Always be sure you have a firm footing. Be sure no one is below when using the tool in high locations.**
9. **Hold the tool firmly with both hands.**
10. **Keep hands away from moving parts.**
11. **Do not leave the tool running. Operate the tool only when hand-held.**
12. **Do not point the tool at any one in the area when operating. The bit could fly out and injure someone seriously.**
13. **Do not touch the bit or parts close to the bit immediately after operation; they may be extremely hot and could burn your skin.**
14. **Some material contains chemicals which may be toxic. Take caution to prevent dust inhalation and skin contact. Follow material supplier safety data.**

SAVE THESE INSTRUCTIONS.

⚠WARNING: DO NOT let comfort or familiarity with product (gained from repeated use) replace strict adherence to safety rules for the subject product. **MISUSE** or failure to follow the safety rules stated in this instruction manual may cause serious personal injury.

Symbols

The followings show the symbols used for tool.

V	volts
— — —	direct current
n_0	no load speed
.../min r/min	revolutions or reciprocation per minute
	number of blow

IMPORTANT SAFETY INSTRUCTIONS

FOR BATTERY CARTRIDGE

1. Before using battery cartridge, read all instructions and cautionary markings on (1) battery charger, (2) battery, and (3) product using battery.
2. Do not disassemble battery cartridge.
3. If operating time has become excessively shorter, stop operating immediately. It may result in a risk of overheating, possible burns and even an explosion.
4. If electrolyte gets into your eyes, rinse them out with clear water and seek medical attention right away. It may result in loss of your eyesight.
5. Do not short the battery cartridge:
 - (1) Do not touch the terminals with any conductive material.
 - (2) Avoid storing battery cartridge in a container with other metal objects such as nails, coins, etc.
 - (3) Do not expose battery cartridge to water or rain.A battery short can cause a large current flow, overheating, possible burns and even a breakdown.
6. Do not store the tool and battery cartridge in locations where the temperature may reach or exceed 50°C (122°F).
7. Do not incinerate the battery cartridge even if it is severely damaged or is completely worn out. The battery cartridge can explode in a fire.
8. Be careful not to drop or strike battery.
9. Do not use a damaged battery.
10. Follow your local regulations relating to disposal of battery.

SAVE THESE INSTRUCTIONS.

⚠ CAUTION: Only use genuine Makita batteries. Use of non-genuine Makita batteries, or batteries that have been altered, may result in the battery bursting causing fires, personal injury and damage. It will also void the Makita warranty for the Makita tool and charger.

Tips for maintaining maximum battery life

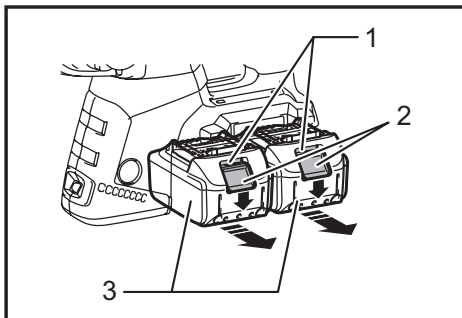
1. Charge the battery cartridge before completely discharged. Always stop tool operation and charge the battery cartridge when you notice less tool power.
2. Never recharge a fully charged battery cartridge. Overcharging shortens the battery service life.
3. Charge the battery cartridge with room temperature at 10°C - 40°C (50°F - 104°F). Let a hot battery cartridge cool down before charging it.
4. Charge the battery cartridge if you do not use it for a long period (more than six months).

FUNCTIONAL DESCRIPTION

⚠ CAUTION:

- Always be sure that the tool is switched off and the battery cartridge is removed before adjusting or checking function on the tool.

Installing or removing battery cartridge



▶ 1. Red indicator 2. Button 3. Battery cartridge

⚠ CAUTION:

- Always switch off the tool before installing or removing of the battery cartridge.
- **Hold the tool and the battery cartridge firmly when installing or removing battery cartridge.** Failure to hold the tool and the battery cartridge firmly may cause them to slip off your hands and result in damage to the tool and battery cartridge and a personal injury.

To remove the battery cartridge, slide it from the tool while sliding the button on the front of the cartridge. To install the battery cartridge, align the tongue on the battery cartridge with the groove in the housing and slip it into place. Insert it all the way until it locks in place with a little click. If you can see the red indicator on the upper side of the button, it is not locked completely.

CAUTION:

- Always install the battery cartridge fully until the red indicator cannot be seen. If not, it may accidentally fall out of the tool, causing injury to you or someone around you.
- Do not install the battery cartridge forcibly. If the cartridge does not slide in easily, it is not being inserted correctly.

NOTE:

- The tool does not work with only one battery cartridge.

Tool / battery protection system

The tool is equipped with a tool/battery protection system. This system automatically cuts off power to the motor to extend tool and battery life.

The tool will automatically stop during operation if the tool or battery are placed under one of the following conditions. In some conditions, the indicators light up.

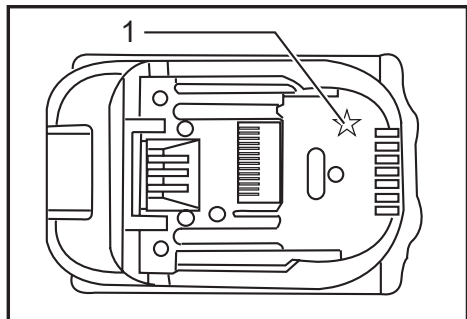
Overload protection

When the tool is operated in a manner that causes it to draw an abnormally high current, the tool automatically stops without any indication. In this situation, turn the tool off and stop the application that caused the tool to become overloaded. Then turn the tool on to restart.

Overheat protection for battery

When the battery is overheated, the tool stops automatically without any indication. The tool does not start even if pulling the switch trigger. In this situation, let the battery cool before turning the tool on again.

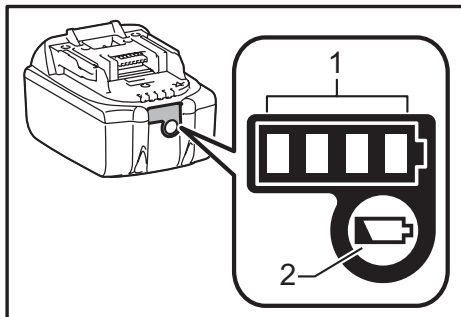
NOTE: The battery overheat protection works only with a battery cartridge with a star marking.



► 1. Star marking

Indicating the remaining battery capacity

(Only for battery cartridges with "B" at the end of the model number.)



► 1. Indicator lamps 2. CHECK button

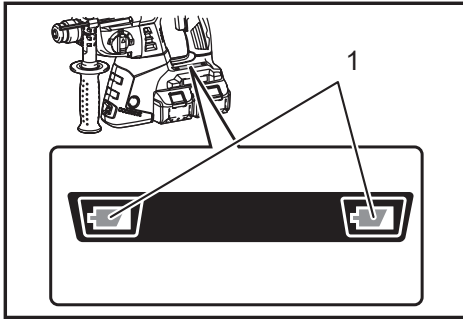
Press the check button on the battery cartridge to indicate the remaining battery capacity. The indicator lamps light up for few seconds.

Indicator lamps			Remaining capacity
Lighted	Off	Blinking	
■ ■ ■ ■			75% to 100%
■ ■ ■ □			50% to 75%
■ ■ □ □			25% to 50%
■ □ □ □			0% to 25%
▣ □ □ □			Charge the battery.
■ □ □ □	↑ ↓		The battery may have malfunctioned.

NOTE:

- Depending on the conditions of use and the ambient temperature, the indication may differ slightly from the actual capacity.

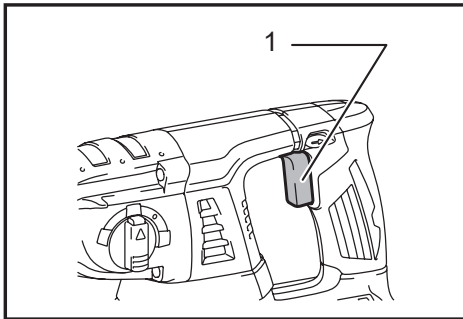
Overdischarge protection



► 1. Battery indicator

When the remaining battery capacity gets low, the battery indicator blinks on the applicable battery side. By further use, the tool stops and the battery indicator lights up about 10 seconds. In this situation, charge the battery cartridge.

Switch action



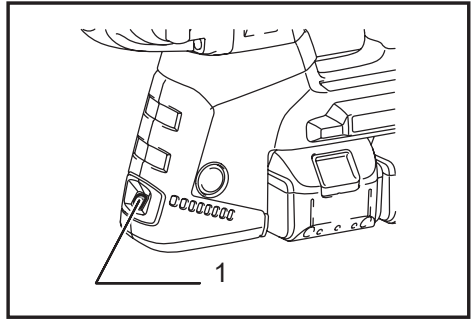
► 1. Switch trigger

⚠ CAUTION:

- Before inserting the battery cartridge into the tool, always check to see that the switch trigger actuates properly and returns to the "OFF" position when released.

To start the tool, simply pull the switch trigger. Tool speed is increased by increasing pressure on the switch trigger. Release the switch trigger to stop.

Lighting up the lamp



► 1. Lamp

⚠ CAUTION:

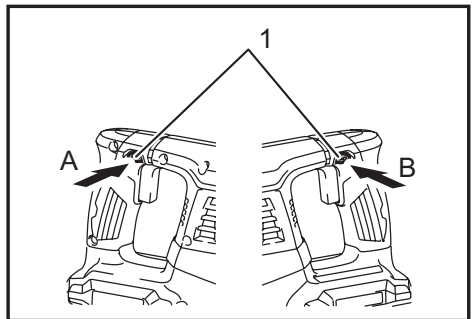
- Do not look in the light or see the source of light directly.

Pull the switch trigger to light up the lamp. The lamp keeps on lighting while the switch trigger is being pulled. The light automatically goes out 10 - 15 seconds after the switch trigger is released.

NOTE:

- Use a dry cloth to wipe the dirt off the lens of lamp. Be careful not to scratch the lens of lamp, or it may lower the illumination.
- Do not use thinner or gasoline to clean the lamp. Such solvents may damage it.

Reversing switch action



► 1. Reversing switch lever

This tool has a reversing switch to change the direction of rotation. Depress the reversing switch lever from the A side for clockwise rotation or from the B side for counterclockwise rotation. When the reversing switch lever is in the neutral position, the switch trigger cannot be pulled.

⚠ CAUTION:

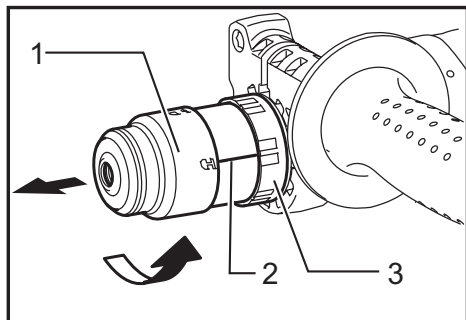
- Always check the direction of rotation before operation.
- Use the reversing switch only after the tool comes to a complete stop. Changing the direction of rotation before the tool stops may damage the tool.
- When not operating the tool, always set the reversing switch lever to the neutral position.

Changing the quick change chuck for SDS-plus

For Model DHR264

The quick change chuck for SDS-plus can be easily exchanged for the quick change drill chuck.



Removing the quick change chuck for SDS-plus



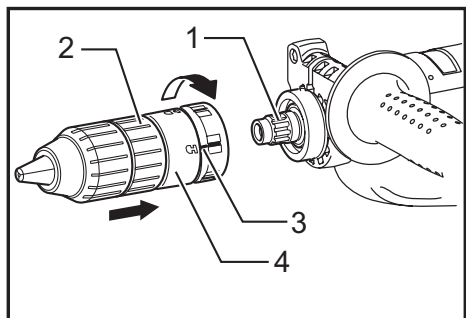
- 1. Quick change chuck for SDS-plus 2. Change cover line 3. Change cover

CAUTION:



- Before removing the quick change chuck for SDS-plus, always remove the bit.


Grasp the change cover of the quick change chuck for SDS-plus and turn in the direction of the arrow until the change cover line moves from the  symbol to the  symbol. Pull forcefully in the direction of the arrow.

Attaching the quick change drill chuck



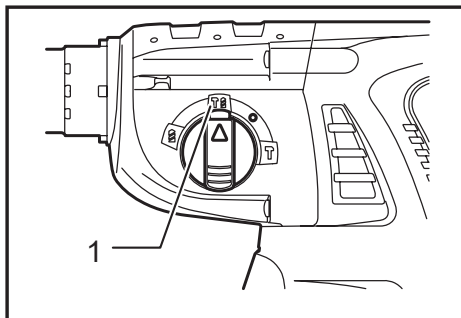
- 1. Spindle 2. Quick change drill chuck 3. Change cover line 4. Change cover

Check the line of the quick change drill chuck shows the  symbol. Grasp the change cover of the quick change drill chuck and set the line to the  symbol. Place the quick change drill chuck on the spindle of the tool.


Grasp the change cover of the quick change drill chuck and turn the change cover line to the  symbol until a click can clearly be heard.

Selecting the action mode

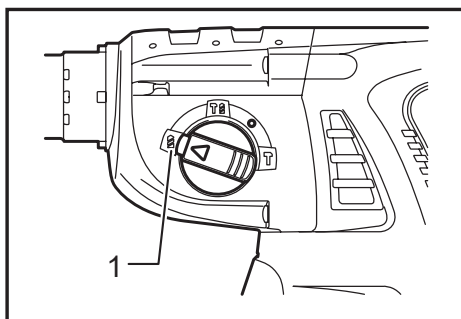
Rotation with hammering




- 1. Rotation with hammering

For drilling in concrete, masonry, etc., depress the lock button and rotate the action mode changing knob to the  symbol. Use a tungsten-carbide tipped bit.

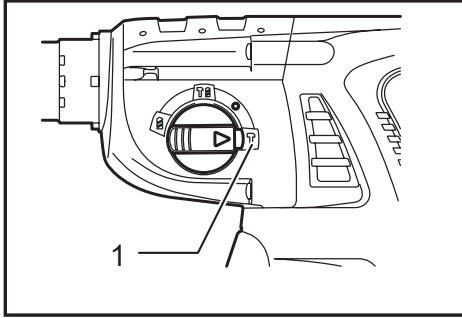
Rotation only




- 1. Rotation only

For drilling in wood, metal or plastic materials, depress the lock button and rotate the action mode changing knob to the  symbol. Use a twist drill bit or wood bit.

Hammering only



► 1. Hammering only

For chipping, scaling or demolition operations, depress the lock button and rotate the action mode changing knob to the  symbol. Use a bull point, cold chisel, scaling chisel, etc.

CAUTION:

- Do not rotate the action mode changing knob when the tool is running. The tool will be damaged.
- To avoid rapid wear on the mode change mechanism, be sure that the action mode changing knob is always positively located in one of the three action mode positions.

Torque limiter

The torque limiter will actuate when a certain torque level is reached. The motor will disengage from the output shaft. When this happens, the bit will stop turning.

CAUTION:

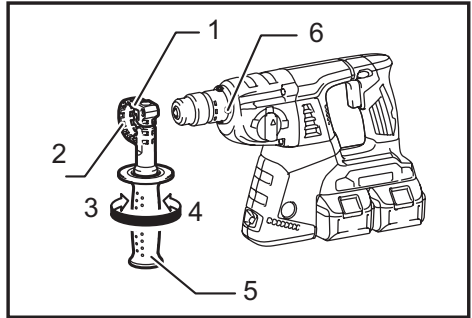
- As soon as the torque limiter actuates, switch off the tool immediately. This will help prevent premature wear of the tool.
- Hole saws cannot be used with this tool. They tend to pinch or catch easily in the hole. This will cause the torque limiter to actuate too frequently.

ASSEMBLY

CAUTION:

- Always be sure that the tool is switched off and the battery cartridge is removed before carrying out any work on the tool.

Side grip (auxiliary handle)



► 1. Grip base 2. Teeth 3. Loosen 4. Tighten 5. Side grip 6. Protrusion

CAUTION:

- Always use the side grip to ensure operating safety.

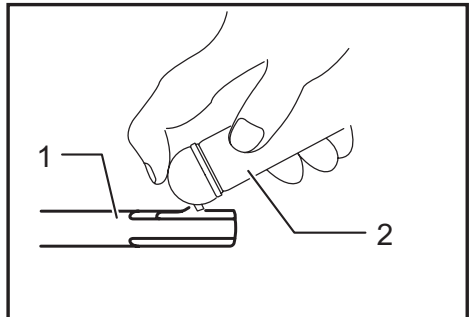
Install the side grip so that the teeth on the grip fit in between the protrusions on the tool barrel. Then tighten the grip by turning clockwise at the desired position. It may be swung 360° so as to be secured at any position.

Bit grease

Coat the bit shank head beforehand with a small amount of bit grease (about 0.5 - 1 g; 0.02 - 0.04 oz.). This chuck lubrication assures smooth action and longer service life.

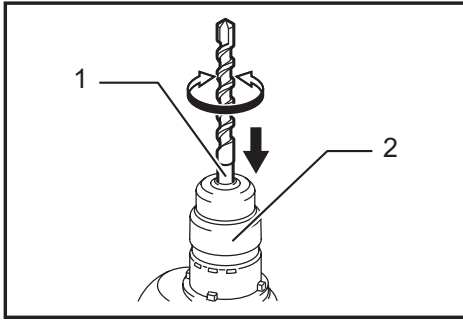
Installing or removing the bit

Clean the bit shank and apply bit grease before installing the bit.



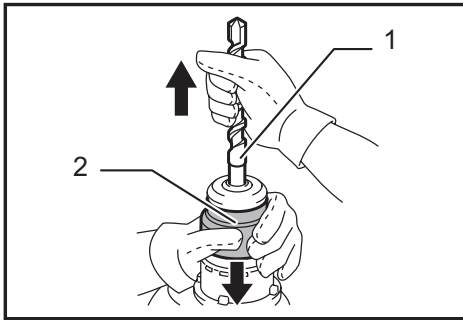
► 1. Bit shank 2. Bit grease

Insert the bit into the tool. Turn the bit and push it in until it engages.



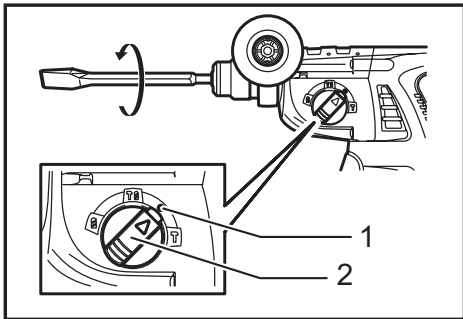
► 1. Bit 2. Chuck cover

If the bit cannot be pushed in, remove the bit. Pull the chuck cover down a couple of times. Then insert the bit again. Turn the bit and push it in until it engages. After installing, always make sure that the bit is securely held in place by trying to pull it out. To remove the bit, pull the chuck cover down all the way and pull the bit out.



► 1. Bit 2. Chuck cover

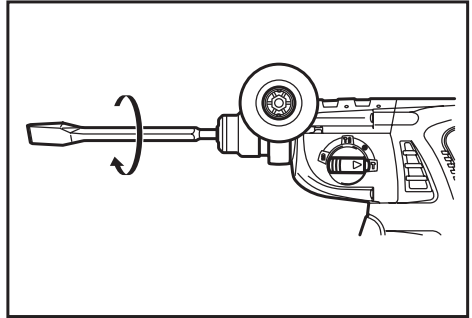
Bit angle (when chipping, scaling or demolishing)



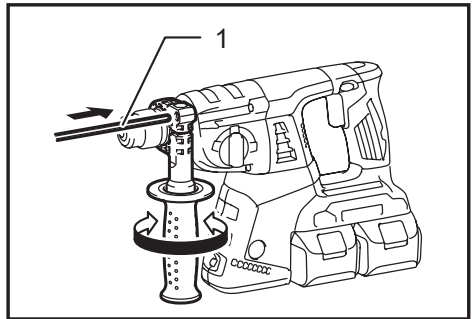
► 1. O symbol 2. Action mode changing knob

The bit can be secured at the desired angle. To change the bit angle, depress the lock button and rotate the action mode changing knob to the O symbol. Turn the bit to the desired angle.

Depress the lock button and rotate the action mode changing knob to the T symbol. Then make sure that the bit is securely held in place by turning it slightly.



Depth gauge



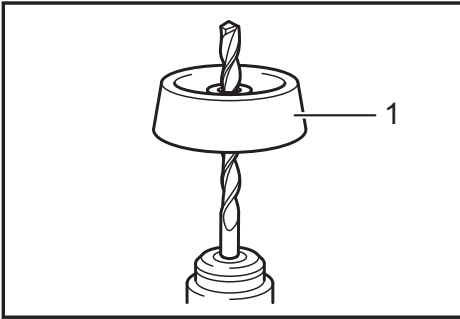
► 1. Depth gauge

The depth gauge is convenient for drilling holes of uniform depth. Loosen the side grip and insert the depth gauge into the hole in the side grip. Adjust the depth gauge to the desired depth and tighten the side grip.

NOTE:

- The depth gauge cannot be used at the position where the depth gauge strikes against the gear housing.

Dust cup



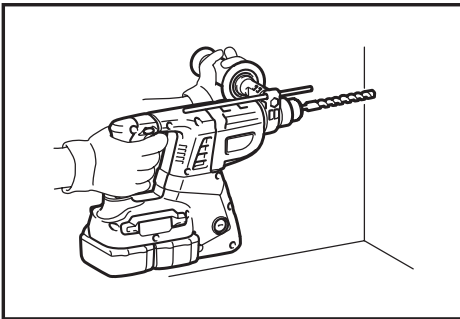
► 1. Dust cup


Use the dust cup to prevent dust from falling over the tool and on yourself when performing overhead drilling operations. Attach the dust cup to the bit as shown in the figure. The size of bits which the dust cup can be attached to is as follows.

	Bit diameter
Dust cup 5	6 mm (1/4") - 14.5 mm (9/16")
Dust cup 9	12 mm (15/32") - 16 mm (5/8")

OPERATION

Hammer drilling operation



Set the action mode changing knob to the  symbol. Position the bit at the desired location for the hole, then pull the switch trigger.

Do not force the tool. Light pressure gives best results. Keep the tool in position and prevent it from slipping away from the hole.

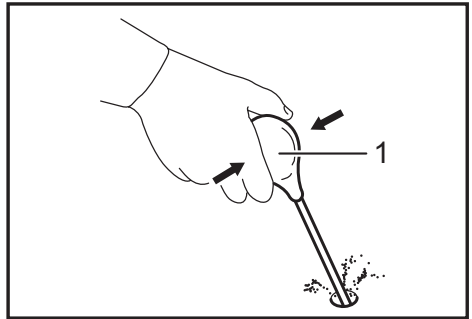
Do not apply more pressure when the hole becomes clogged with chips or particles. Instead, run the tool at an idle, then remove the bit partially from the hole. By repeating this several times, the hole will be cleaned out and normal drilling may be resumed.

CAUTION:

- There is a tremendous and sudden twisting force exerted on the tool/bit at the time of hole break-through, when the hole becomes clogged with chips and particles, or when striking reinforcing rods embedded in the concrete. Always use the side grip (auxiliary handle) and firmly hold the tool by both side grip and switch handle during operations. Failure to do so may result in the loss of control of the tool and potentially severe injury.

NOTE: Eccentricity in the bit rotation may occur while operating the tool with no load. The tool automatically centers itself during operation. This does not affect the drilling precision.

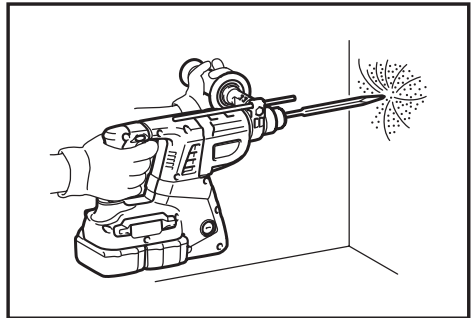
Blow-out bulb (optional accessory)




► 1. Blow-out bulb

After drilling the hole, use the blow-out bulb to clean the dust out of the hole.

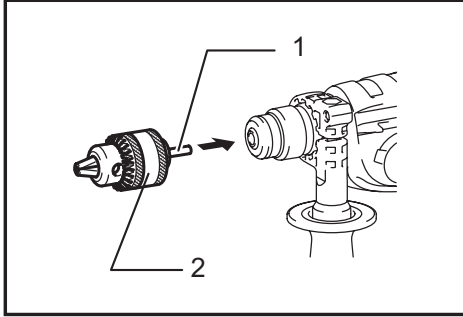
Chipping/Scaling/Demolition



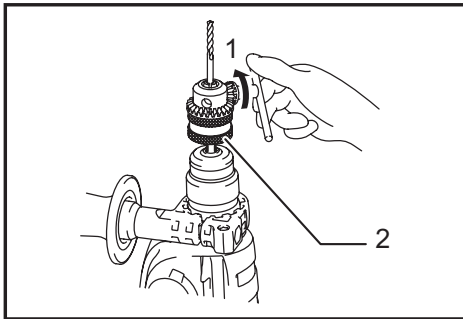
Set the action mode changing knob to the  symbol. Hold the tool firmly with both hands. Turn the tool on and apply slight pressure on the tool so that the tool will not bounce around, uncontrolled. Pressing very hard on the tool will not increase the efficiency.

Drilling in wood or metal

For Model DHR263




► 1. Chuck adapter 2. Drill chuck

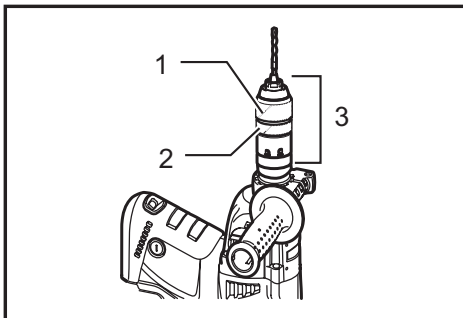


► 1. Tighten 2. Drill chuck

Use the optional drill chuck assembly. When installing it, refer to "Installing or removing the bit" described on the previous page.


Set the action mode changing knob so that the pointer points to the  symbol.

For Model DHR264



► 1. Sleeve 2. Ring 3. Quick change drill chuck

Use the quick change drill chuck as standard equipment. When installing it, refer to "changing the quick change chuck for SDS-plus" described on the previous page.

Hold the ring and turn the sleeve counterclockwise to open the chuck jaws. Place the bit in the chuck as far as it will go. Hold the ring firmly and turn the sleeve clockwise to tighten the chuck. To remove the bit, hold the ring and turn the sleeve counterclockwise. Set the action mode changing knob to the  symbol. You can drill up to 13 mm diameter in metal and up to 32 mm diameter in wood.

⚠ CAUTION:

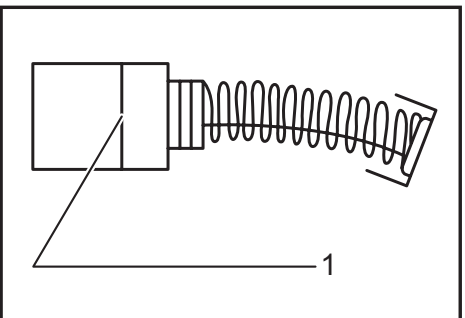
- Never use "rotation with hammering" when the drill chuck assembly is installed on the tool. The drill chuck assembly may be damaged. Also, the drill chuck will come off when reversing the tool.
- Pressing excessively on the tool will not speed up the drilling. In fact, this excessive pressure will only serve to damage the tip of your bit, decrease the tool performance and shorten the service life of the tool.
- There is a tremendous twisting force exerted on the tool/bit at the time of hole breakthrough. Hold the tool firmly and exert care when the bit begins to break through the workpiece.
- A stuck bit can be removed simply by setting the reversing switch to reverse rotation in order to back out. However, the tool may back out abruptly if you do not hold it firmly.
- Always secure small workpieces in a vise or similar hold-down device.

MAINTENANCE

⚠ CAUTION:

- Always be sure that the tool is switched off and the battery cartridge is removed before attempting to perform inspection or maintenance.
- Never use gasoline, benzene, thinner, alcohol or the like. Discoloration, deformation or cracks may result.

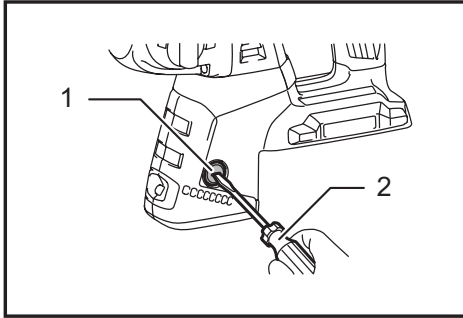
Replacing carbon brushes



► 1. Limit mark

Remove and check the carbon brushes regularly. Replace when they wear down to the limit mark. Keep the carbon brushes clean and free to slip in the holders. Both carbon brushes should be replaced at the same time. Use only identical carbon brushes.

Use a screwdriver to remove the brush holder caps. Take out the worn carbon brushes, insert the new ones and secure the brush holder caps.



► 1. Brush holder cap 2. Screwdriver

Remount the holder cap covers on the tool. To maintain product SAFETY and RELIABILITY, repairs, any other maintenance or adjustment should be performed by Makita Authorized or Factory Service Centers, always using Makita replacement parts.

OPTIONAL ACCESSORIES

CAUTION:

- These accessories or attachments are recommended for use with your Makita tool specified in this manual. The use of any other accessories or attachments might present a risk of injury to persons. Only use accessory or attachment for its stated purpose.

If you need any assistance for more details regarding these accessories, ask your local Makita Service Center.

- SDS-Plus Carbide-tipped bits
- Bull point
- Cold chisel
- Scaling chisel
- Grooving chisel
- Drill chuck assembly
- Drill chuck S13
- Chuck adapter
- Chuck key S13
- Bit grease
- Side grip
- Depth gauge
- Blow-out bulb
- Dust cup
- Dust extractor attachment
- Plastic carrying case
- Keyless drill chuck
- Makita genuine battery and charger

NOTE:

- Some items in the list may be included in the tool package as standard accessories. They may differ from country to country.

MAKITA LIMITED WARRANTY

Please refer to the annexed warranty sheet for the most current warranty terms applicable to this product. If annexed warranty sheet is not available, refer to the warranty details set forth at below website for your respective country.

United States of America: www.makitatools.com

Canada: www.makita.ca

Other countries: www.makita.com

SPÉCIFICATIONS

Modèle		DHR263		DHR264	
Capacités	Béton	26 mm (1")		26 mm (1")	
	Acier	13 mm (1/2")		13 mm (1/2")	
	Bois	32 mm (1-1/4")		32 mm (1-1/4")	
Vitesse à vide (RPM)		0 - 1 250 /min		0 - 1 250 /min	
Nombre de frappes par minute		0 - 5 000		0 - 5 000	
Longueur totale		350 mm (13-3/4")		374 mm (14-3/4")	
Poids net		4,1 kg (9,0 lbs)	4,6 kg (10,1 lbs)	4,2 kg (9,2 lbs)	4,7 kg (10,3 lbs)
Tension nominale		C.C. 36 V			
Batterie(s) standard		BL1815N / BL1820B	BL1830 / BL1830B / BL1840B / BL1850B / BL1860B	BL1815N / BL1820B	BL1830 / BL1830B / BL1840B / BL1850B / BL1860B
⚠ Avertissement : Utilisez seulement la/les batterie(s) décrite(s).					

- Étant donné l'évolution constante de notre programme de recherche et de développement, les spécifications contenues dans ce manuel sont sujettes à modification sans préavis.
- Remarque : les caractéristiques techniques et la batterie peuvent varier suivant les pays.
- Poids, batterie comprise, conforme à la procédure EPTA de 01/2003

Consignes de sécurité générales pour outils électriques

⚠ **MISE EN GARDE** Veuillez lire toutes les mises en garde de sécurité et toutes les instructions. L'ignorance des mises en garde et des instructions comporte un risque de choc électrique, d'incendie et/ou de blessure grave.

Conservez toutes les mises en garde et instructions pour référence future.

Le terme « outil électrique » qui figure dans les avertissements fait référence à un outil électrique branché sur une prise de courant (par un cordon d'alimentation) ou alimenté par batterie (sans fil).

Sécurité de la zone de travail

1. **Maintenez la zone de travail propre et bien éclairée.** Les zones de travail encombrées ou sombres ouvrent grande la porte aux accidents.
2. **N'utilisez pas les outils électriques dans les atmosphères explosives, par exemple en présence de liquides, gaz ou poussières inflammables.** Les outils électriques produisent des étincelles au contact desquelles la poussière ou les vapeurs peuvent s'enflammer.
3. **Assurez-vous qu'aucun enfant ou curieux ne s'approche pendant que vous utilisez un outil électrique.** Vous risquez de perdre la maîtrise de l'outil si votre attention est détournée.

Sécurité en matière d'électricité

4. **Les fiches d'outil électrique sont conçues pour s'adapter parfaitement aux prises de courant. Ne modifiez jamais la fiche de quelque façon que ce soit. N'utilisez aucun adaptateur de fiche sur les outils électriques avec mise à la terre.** En ne modifiant pas les fiches et en les insérant dans des prises de courant pour lesquelles elles ont été conçues vous réduirez les risques de choc électrique.

5. **Évitez tout contact corporel avec les surfaces mises à la terre, telles que les tuyaux, radiateurs, cuisinières et réfrigérateurs.** Le risque de choc électrique est plus élevé si votre corps se trouve mis à la terre.
6. **N'exposez pas les outils électriques à la pluie ou à l'eau.** La présence d'eau dans un outil électrique augmente le risque de choc électrique.
7. **Ne maltraitez pas le cordon. N'utilisez jamais le cordon pour transporter, tirer ou débrancher l'outil électrique. Maintenez le cordon à l'écart des sources de chaleur, de l'huile, des objets à bords tranchants et des pièces en mouvement.** Le risque de choc électrique est plus élevé lorsque les cordons sont endommagés ou enchevêtrés.
8. **Lorsque vous utilisez un outil électrique à l'extérieur, utilisez un cordon prolongateur prévu à cette fin.** Les risques de choc électrique sont moindres lorsqu'un cordon conçu pour l'extérieur est utilisé.
9. **Si vous devez utiliser un outil électrique dans un endroit humide, utilisez une source d'alimentation protégée par un disjoncteur de fuite à la terre.** L'utilisation d'un disjoncteur de fuite à la terre réduit le risque de choc électrique.

Sécurité personnelle

10. **Restez alerte, attentif à vos mouvements et faites preuve de bon sens lorsque vous utilisez un outil électrique.** Évitez d'utiliser un outil électrique si vous êtes fatigué ou si vous avez pris une drogue, de l'alcool ou un médicament. Un moment d'inattention pendant l'utilisation d'un outil électrique peut entraîner une grave blessure.
11. **Portez des dispositifs de protection personnelle. Portez toujours un protecteur pour la vue.** Les risques de blessure seront moins élevés si vous utilisez des dispositifs de protection tels qu'un masque anti-poussières, des chaussures à semelle antidérapante, une coiffure résistante ou une protection d'oreilles.

12. **Évitez les démarrages accidentels. Assurez-vous que l'interrupteur soit en position d'arrêt avant de brancher l'outil à la prise électrique et/ou au bloc-piles, avant de prendre ou de transporter l'outil.** Vous ouvrez la porte aux accidents si vous transportez les outils électriques avec le doigt sur l'interrupteur ou si vous les branchez alors que l'interrupteur est en position de marche.
13. **Retirez toute clé de réglage ou de serrage avant de mettre l'outil sous tension.** Toute clé laissée en place sur une pièce rotative de l'outil électrique peut entraîner une blessure.
14. **Maintenez une bonne position. Assurez-vous d'une bonne prise au sol et d'une bonne position d'équilibre en tout temps.** Cela vous permettra d'avoir une meilleure maîtrise de l'outil dans les situations imprévues.
15. **Portez des vêtements adéquats. Ne portez ni vêtements amples ni bijoux. Vous devez maintenir cheveux, vêtements et gants à l'écart des pièces en mouvement.** Les pièces en mouvement peuvent happer les vêtements amples, les bijoux et les cheveux longs.
16. **Si des accessoires sont fournis pour raccorder un appareil d'aspiration et de collecte de la poussière, assurez-vous qu'ils sont correctement raccordés et qu'ils sont utilisés de manière adéquate.** L'utilisation d'un appareil d'aspiration permet de réduire les risques liés à la présence de poussière dans l'air.

Utilisation et entretien des outils électriques

17. **Ne forcez pas l'outil électrique. Utilisez l'outil électrique adéquat suivant le type de travail à effectuer.** Si vous utilisez l'outil électrique adéquat et respectez le régime pour lequel il a été conçu, il effectuera un travail de meilleure qualité et de façon plus sécuritaire.
18. **N'utilisez pas l'outil électrique s'il n'est pas possible de mettre sa gâchette en position de marche et d'arrêt.** Un outil électrique dont l'interrupteur est défectueux représente un danger et doit être réparé.
19. **Débranchez la fiche de la source d'alimentation et/ou retirez le bloc-piles de l'outil électrique avant d'effectuer tout réglage, de changer un accessoire ou de ranger l'outil électrique.** De telles mesures préventives réduisent les risques de démarrage accidentel de l'outil électrique.
20. **Après l'utilisation d'un outil électrique, rangez-le hors de portée des enfants et ne laissez aucune personne l'utiliser si elle n'est pas familiarisée avec l'outil électrique ou les présentes instructions d'utilisation.** Les outils électriques représentent un danger entre les mains de personnes qui n'en connaissent pas le mode d'utilisation.
21. **Veillez à l'entretien des outils électriques. Assurez-vous que les pièces mobiles ne sont pas désalignées ou coincées, qu'aucune pièce n'est cassée et que l'outil électrique n'a subi aucun dommage affectant son bon fonctionnement. Le cas échéant, faites réparer l'outil électrique avant de l'utiliser.** De nombreux accidents sont causés par des outils électriques mal entretenus.
22. **Maintenez les outils tranchants bien aiguisés et propres.** Un outil tranchant dont l'entretien est effectué correctement et dont les bords sont bien aiguisés risquera moins de se coincer et sera plus facile à maîtriser.

23. **Utilisez l'outil électrique, ses accessoires, ses embouts, etc., en respectant les présentes instructions, en tenant compte des conditions de travail et du type de travail à effectuer.** L'utilisation d'un outil électrique à des fins autres que celles prévues peut entraîner une situation dangereuse.

Utilisation et entretien des outils alimentés par batterie

24. **Pour recharger, utilisez uniquement le chargeur spécifié par le fabricant.** L'utilisation d'un chargeur conçu pour un type donné de bloc-piles comporte un risque d'incendie lorsqu'il est utilisé avec un autre type de bloc-piles.
25. **N'utilisez un outil électrique qu'avec le bloc-piles conçu spécifiquement pour cet outil.** Il y a un risque de blessure ou d'incendie si un autre bloc-piles est utilisé.
26. **Lorsque vous n'utilisez pas le bloc-piles, rangez-le à l'écart des objets métalliques tels que trombones, pièces de monnaie, clés, clous, vis ou autres petits objets métalliques qui risquent d'établir une connexion entre les bornes.** La mise en court-circuit des bornes de batterie peut causer des brûlures ou un incendie.
27. **Dans des conditions d'utilisation inadéquates de la batterie, il peut y avoir fuite d'électrolyte; évitez tout contact avec ce liquide.** En cas de contact accidentel, rincez avec beaucoup d'eau. Si le liquide pénètre dans vos yeux, il faut aussi consulter un médecin. L'électrolyte qui s'échappe de la batterie peut causer des irritations ou des brûlures.

Réparation

28. **Faites réparer votre outil électrique par un réparateur qualifié qui utilise des pièces de rechange identiques aux pièces d'origine.** Le maintien de la sûreté de l'outil électrique sera ainsi assuré.
29. **Suivez les instructions de lubrification et de changement des accessoires.**
30. **Maintenez les poignées de l'outil sèches, propres et exempts d'huile ou de graisse.**

CONSIGNES DE SÉCURITÉ POUR LE MARTEAU ROTATIF SANS FIL

1. **Portez des protections d'oreilles.** L'exposition au bruit peut entraîner des lésions de l'ouïe.
2. **Utilisez la ou les poignées auxiliaires si elles sont fournies avec l'outil.** Toute perte de maîtrise comporte un risque de blessure.
3. **Tenez l'outil par ses surfaces de prise isolées pendant toute opération où l'accessoire de coupe pourrait venir en contact avec un câblage dissimulé.** En cas de contact avec un conducteur sous tension, les pièces métalliques à découvert de l'outil pourraient devenir sous tension et risqueraient de transmettre une décharge électrique à l'utilisateur.
4. **Portez un casque rigide (casque de sécurité) ainsi que des lunettes de sécurité et/ou un écran facial.** Les lunettes ordinaires et les lunettes de soleil ne constituent PAS des lunettes de sécurité. Le port d'un masque à poussière et de gants épais est également fortement recommandé.
5. **Assurez-vous que le foret est bien serré avant d'utiliser l'outil.**


6. Même dans des conditions d'utilisation ordinaires, l'outil produit des vibrations. Les vis peuvent ainsi se relâcher facilement et risquent d'entraîner une rupture de pièce ou de causer un accident. Avant l'utilisation, vérifiez avec précaution que les vis sont bien serrées.
7. Par temps froid ou lorsque l'outil est resté inutilisé pendant une longue période, faites-le réchauffer pendant quelques minutes en le faisant fonctionner à vide. Cela réchauffera le lubrifiant. Sans un réchauffement adéquat, le martelage s'effectue difficilement.
8. Adoptez toujours une position de travail vous assurant d'un bon équilibre. Assurez-vous qu'il n'y a personne plus bas lorsque vous utilisez l'outil en position élevée.
9. Tenez l'outil fermement à deux mains.
10. Gardez vos mains éloignées des pièces mobiles.
11. N'abandonnez pas l'outil alors qu'il tourne. Ne faites fonctionner l'outil qu'une fois que vous l'avez bien en main.
12. Pendant l'utilisation de l'outil, ne le pointez vers personne dans la zone de travail. Vous risqueriez de blesser gravement quelqu'un en cas d'éjection du foret.
13. Ne touchez pas le foret ou les parties situées près du foret immédiatement après l'utilisation ; ils peuvent être extrêmement chauds et brûler votre peau.
14. Certains matériaux contiennent des produits chimiques qui peuvent être toxiques. Prenez les précautions nécessaires pour éviter l'inhalation de ces poussières ou leur contact avec la peau. Conformez-vous aux consignes de sécurité du fournisseur du matériau.

CONSERVEZ CE MODE D'EMPLOI.

▲ MISE EN GARDE : NE VOUS LAISSEZ PAS tromper (au fil d'une utilisation répétée) par un sentiment d'aisance ou de familiarité avec le produit en négligeant les consignes de sécurité qui accompagnent le produit. L'utilisation non sécuritaire ou incorrecte de cet outil comporte un risque de blessure grave.

Symboles

Les symboles utilisés pour l'outil sont indiqués ci-dessous.

V	volts
— — —	courant continu
n_o	vitesse à vide
... /min r /min	tours ou alternances par minute
	nombre de frappes

CONSIGNES DE SÉCURITÉ IMPORTANTES

POUR LA BATTERIE

1. Avant d'utiliser la batterie, lisez toutes les instructions et précautions relatives (1) au chargeur de batterie, (2) à la batterie, et (3) à l'outil utilisant la batterie.
2. Ne démontez pas la batterie.
3. Cessez immédiatement l'utilisation si le temps de fonctionnement devient excessivement court. Il y a risque de surchauffe, de brûlures, voire d'explosion.
4. Si l'électrolyte pénètre dans vos yeux, rincez-les à l'eau claire et consultez immédiatement un médecin. Il y a risque de perte de la vue.
5. Ne court-circuitez pas la batterie :
 - (1) Ne touchez les bornes avec aucun matériau conducteur.
 - (2) Évitez de ranger la batterie dans un conteneur avec d'autres objets métalliques, par exemple des clous, des pièces de monnaie, etc.
 - (3) Évitez d'exposer la batterie à l'eau ou à la pluie. Un court-circuit de la batterie pourrait provoquer un fort courant, une surchauffe, parfois des brûlures et même une panne.
6. Ne rangez pas l'outil ou la batterie dans des endroits où la température risque d'atteindre ou de dépasser 50°C (122°F).
7. Ne jetez pas la batterie au feu même si elle est sérieusement endommagée ou complètement épuisée. La batterie peut exploser au contact du feu.
8. Prenez garde d'échapper ou de heurter la batterie.
9. N'utilisez pas une batterie si elle est endommagée.
10. Suivez la réglementation locale concernant la mise au rebut de la batterie.

CONSERVEZ CE MODE D'EMPLOI.

▲ ATTENTION : Utilisez uniquement des batteries Makita d'origine.

L'utilisation de batteries autres que les batteries d'origine Makita ou de batteries qui ont été modifiées peut entraîner l'explosion de la batterie et provoquer des incendies, blessures et autres dommages. Cela annulerait également la garantie de Makita s'appliquant à l'outil Makita et au chargeur.

Conseils pour obtenir la durée de service maximale de la batterie

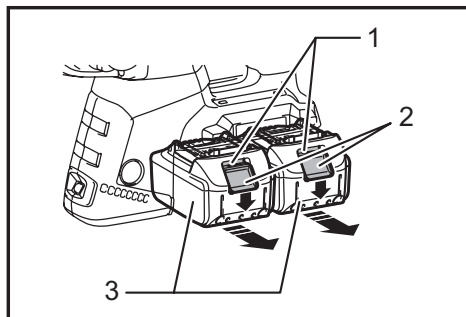
1. Rechargez la batterie avant qu'elle ne soit complètement déchargée. Arrêtez toujours l'outil et rechargez la batterie quand vous remarquez que la puissance de l'outil diminue.
2. Ne rechargez jamais une batterie complètement chargée. La surcharge réduit la durée de service de la batterie.
3. Rechargez la batterie à une température ambiante comprise entre 10°C et 40°C (50°F - 104°F). Si la batterie est chaude, laissez-la refroidir avant de la recharger.
4. Rechargez la batterie si vous ne l'utilisez pas pendant une période prolongée (plus de six mois).

DESCRIPTION DU FONCTIONNEMENT

⚠ ATTENTION :

- Assurez-vous toujours que l'outil est hors tension et que sa batterie est retirée avant de l'ajuster ou de vérifier son fonctionnement.

Installation ou retrait de la batterie



► 1. Indicateur rouge 2. Bouton 3. Batterie

⚠ ATTENTION :

- Mettez toujours l'appareil hors tension avant d'installer ou de retirer la batterie.
- **Tenez fermement l'outil et la batterie lors de l'installation ou du retrait de cette dernière.** Sinon, l'outil et la batterie pourraient vous glisser des mains, ce qui risque d'endommager l'outil et la batterie, ou encore de provoquer des blessures.

Pour retirer la batterie, faites-la glisser de l'outil tout en faisant glisser le bouton se trouvant à l'avant. Pour installer la batterie, alignez sa languette sur la rainure pratiquée dans le boîtier, et glissez la batterie en place. Insérez-la à fond jusqu'à ce que vous entendiez un clic. Si vous pouvez voir l'indicateur rouge situé sur le dessus du bouton, la batterie n'est pas complètement verrouillée.

⚠ ATTENTION :

- Installez toujours la batterie à fond jusqu'à ce que vous ne puissiez plus voir l'indicateur rouge. Dans le cas contraire, elle pourrait tomber de l'outil et entraîner des blessures.
- Ne forcez pas sur la batterie pour l'installer. Si la batterie ne glisse pas facilement, c'est qu'elle n'est pas insérée correctement.

NOTE :

- L'outil ne fonctionne pas lorsqu'une seule batterie est en place.

Système de protection de l'outil/de la batterie

L'outil est équipé d'un système de protection de l'outil/de la batterie. Ce système coupe automatiquement l'alimentation du moteur pour augmenter la durée de vie de l'outil et de la batterie.

L'outil s'arrête automatiquement pendant l'utilisation lorsque l'outil ou la batterie est dans l'une des situations suivantes. Dans certaines conditions, les indicateurs s'allument.

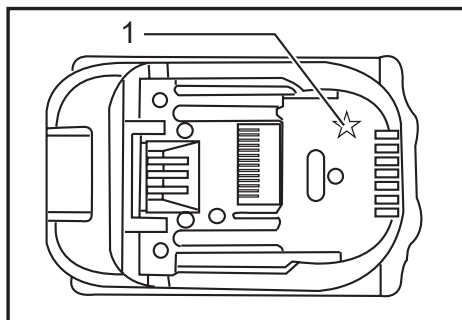
Dispositif de protection contre la surcharge

Lorsque l'outil est actionné de sorte qu'il utilise un courant élevé anormal, l'outil s'arrête automatiquement sans indication. Dans cette situation, éteignez l'outil et arrêtez l'application qui a causé la surcharge de l'outil. Puis rallumez l'outil pour recommencer.

Protection de surchauffe de la batterie

Lorsque la batterie est en surchauffe, l'outil s'arrête automatiquement sans aucune indication. L'outil ne démarre pas même en appuyant sur la gâchette. Dans cette situation, laissez refroidir la batterie avant d'allumer de nouveau l'outil.

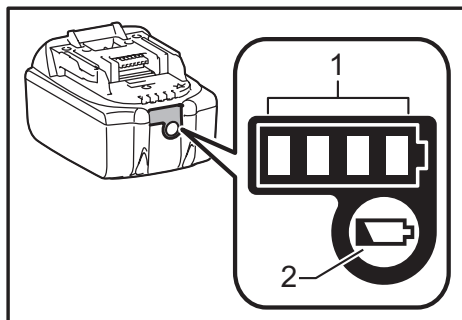
NOTE : La protection de surchauffe de la batterie fonctionne uniquement avec les batteries comportant un repère en forme d'étoile.



► 1. Étoile

Affiche la capacité restante de la batterie

(Uniquement pour les batteries dont le numéro de modèle se termine par « B ».)



► 1. Témoins 2. Bouton CHECK

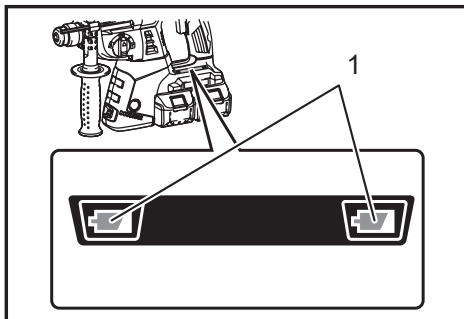
Appuyez sur le bouton de vérification sur la batterie pour afficher la capacité résiduelle de la batterie. Les témoins s'allument pendant quelques secondes.

Témoins			Capacité résiduelle
Allumé	ARRÊT	Clignotement	
■	□	▬	75 % à 100 %
■	■	□	50 % à 75 %
■	□	□	25 % à 50 %
■	□	□	0 % à 25 %
▬	□	□	Chargez la batterie.
■	□	□	La batterie peut avoir présenté un défaut de fonctionnement.
□	□	■	

NOTE :

- Selon les conditions d'utilisation et la température ambiante, il est possible que la capacité relevée soit légèrement différente par rapport à la capacité réelle.

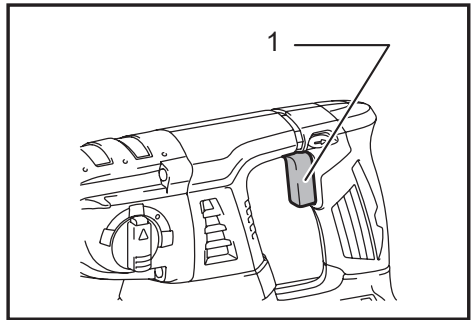
Protection contre la décharge complète



► 1. Indicateur de batterie

Lorsque la capacité restante de la batterie est faible, l'indicateur de la batterie clignote à côté de la batterie concernée. Si l'utilisation est poursuivie, l'outil s'arrête et l'indicateur de la batterie s'allume pendant environ 10 secondes. Dans cette situation, rechargez la batterie.

Interrupteur



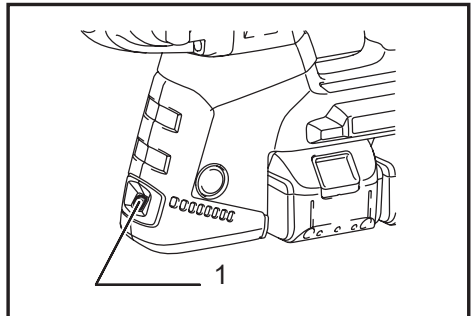
► 1. Gâchette

ATTENTION :

- Avant d'insérer la batterie dans l'outil, vérifiez toujours que la gâchette fonctionne bien et revient en position d'arrêt lorsque relâchée.

Pour mettre l'outil en marche, appuyez simplement sur la gâchette. La vitesse de l'outil augmente à mesure que l'on accroît la pression exercée sur la gâchette. Pour l'arrêter, relâchez la gâchette.

Allumage de la lampe



► 1. Lampe

ATTENTION :

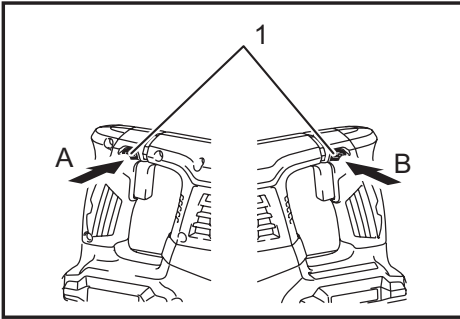
- Evitez de regarder directement le faisceau lumineux ou sa source.

Appuyez sur la gâchette pour allumer la lampe. La lampe demeure allumée tant que la pression sur la gâchette est maintenue. Lorsque vous relâchez la gâchette, la lumière s'éteint d'elle-même au bout de 10 à 15 secondes.

NOTE :

- Utilisez un chiffon sec pour essuyer la saleté qui recouvre la lentille de la lampe. Prenez garde de rayer la lentille de la lampe, pour éviter une diminution de l'éclairage.
- Ne pas utiliser de diluant ou d'essence pour nettoyer la lampe. De tels produits solvants risqueraient de l'endommager.

Inverseur



► 1. Levier inverseur

L'outil possède un inverseur qui permet de changer le sens de rotation. Enfoncez le levier inverseur du côté A pour une rotation dans le sens des aiguilles d'une montre, ou du côté B pour une rotation dans le sens inverse des aiguilles d'une montre. La pression sur la gâchette n'est pas possible lorsque le levier inverseur se trouve en position neutre.

⚠ ATTENTION :

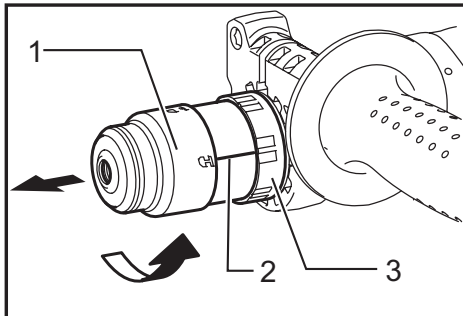
- Vérifiez toujours le sens de rotation avant de mettre l'outil en marche.
- N'actionnez l'inverseur qu'une fois que l'outil est complètement arrêté. Si vous changez le sens de rotation avant l'arrêt de l'outil, vous risquez de l'endommager.
- Lorsque vous n'utilisez pas l'outil, placez toujours le levier inverseur en position neutre.

Changer le mandrin à adaptateur rapide pour SDS-plus

Pour les modèles DHR264

Il est facile de remplacer le mandrin à adaptateur rapide pour SDS-plus par le mandrin à adaptateur rapide.



Retirer le mandrin à adaptateur rapide pour SDS-plus



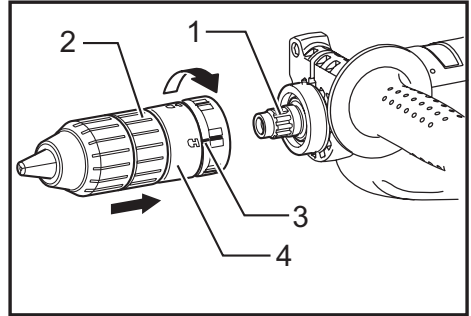
► 1. Mandrin à adaptateur rapide pour SDS-plus 2. Ligne du couvercle adaptateur 3. Couvercle adaptateur

⚠ ATTENTION :




- Avant de retirer le mandrin à adaptateur rapide pour SDS-plus, retirez toujours le foret.

Saisissez le couvercle adaptateur du mandrin à adaptateur rapide pour SDS-plus et tournez-le dans le sens de la flèche jusqu'à ce que la ligne du couvercle adaptateur passe du symbole  au symbole . Tirez avec force dans le sens de la flèche.

Fixer le mandrin à adaptateur rapide

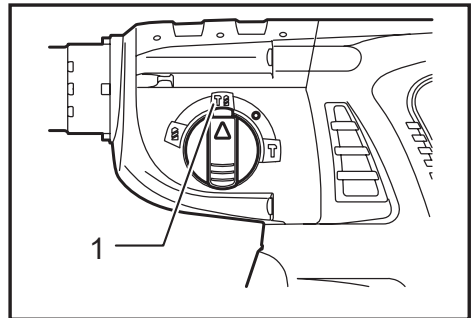


► 1. Axe 2. Mandrin à adaptateur rapide 3. Ligne du couvercle adaptateur 4. Couvercle adaptateur


Vérifiez que la ligne du mandrin à adaptateur rapide indique le symbole . Saisissez le couvercle adaptateur du mandrin à adaptateur rapide et placez la ligne sur le symbole . Placez le mandrin à adaptateur rapide sur l'axe de l'outil. Saisissez le couvercle adaptateur du mandrin à adaptateur rapide et tournez la ligne du couvercle adaptateur vers le symbole  jusqu'à ce que vous entendiez clairement un bruit de dé clic.

Sélection du mode de fonctionnement

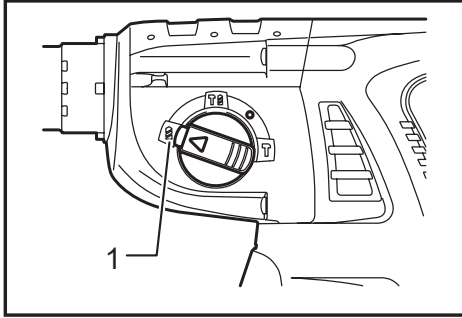
Rotation avec martelage




► 1. Rotation avec martelage

Pour percer du béton, de la maçonnerie, etc., appuyez sur le bouton de verrouillage et tournez le bouton de changement de mode sur le symbole . Utilisez un foret à pointe au carbure de tungstène.

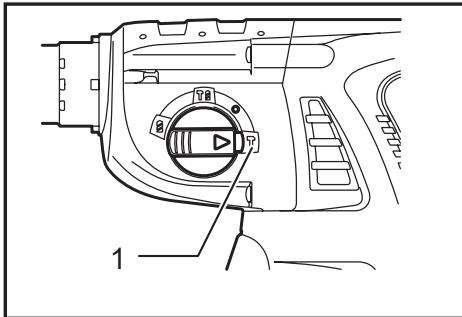
Rotation seulement




► 1. Rotation seulement

Pour percer les matériaux de bois, de métal ou de plastique, appuyez sur le bouton de verrouillage et tournez le levier de changement de mode sur le symbole . Utilisez un foret hélicoïdal ou un foret à bois.

Martelage seulement



► 1. Martelage seulement

Pour les opérations de burinage, d'écaillage et de démolition, appuyez sur le bouton de verrouillage et tournez le levier de changement de mode sur le symbole . Utilisez une pointe à béton, un ciseau à froid, un ciseau à écailler, etc.

⚠ ATTENTION :

- Ne tournez pas le bouton de changement de mode pendant que l'outil tourne. Cela endommagerait l'outil.
- Pour éviter toute usure prématurée du mécanisme de changement de mode, veillez à ce que le bouton de changement de mode soit toujours bien réglé sur l'un des trois modes.

Limiteur de couple

Le limiteur de couple se déclenche lorsqu'un certain niveau de couple est atteint. Le moteur se désaccouple du porte-outil. Dans ce cas, le foret cesse de tourner.

⚠ ATTENTION :

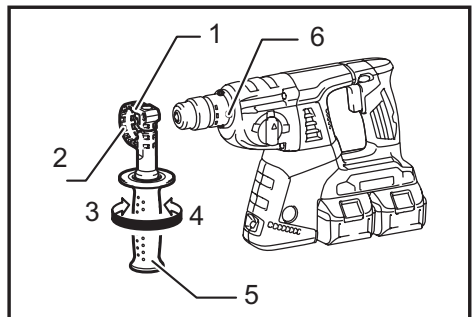
- Coupez le contact dès que le limiteur de couple se déclenche. Ceci permettra d'éviter toute usure prématurée de l'outil.
- Avec cet outil vous ne pouvez pas utiliser les scies trepans. Ils ont tendance à se bloquer, déclenchant constamment le limiteur de couple.

ASSEMBLAGE

⚠ ATTENTION :

- Assurez-vous toujours que l'outil est hors tension et que sa batterie est retirée avant d'effectuer tout travail dessus.

Poignée latérale (poignée auxiliaire)



- 1. Base de la poignée 2. Dents 3. Desserrer 4. Serrer 5. Poignée latérale 6. Saillie

⚠ ATTENTION :

- Utilisez toujours la poignée latérale pour assurer votre sécurité.

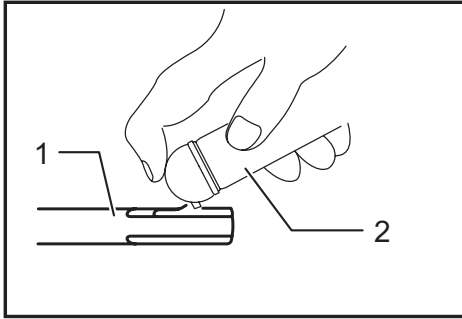
Installez la poignée latérale pour que les dents s'encastrant parfaitement entre les protubérances du corps de foret de l'outil. Puis serrez la poignée en tournant dans le sens des aiguilles d'une montre jusqu'à la position souhaitée. On la fera tourner à 360° pour être sécuritaire en toute position.

Graisse rose

Avant de procéder, enduisez la queue du foret d'une légère couche de graisse (environ 0,5 - 1 g; 0,02 - 0,04 oz.). Cette lubrification du porte-outil assurera un fonctionnement en douceur et une longue durée de service.

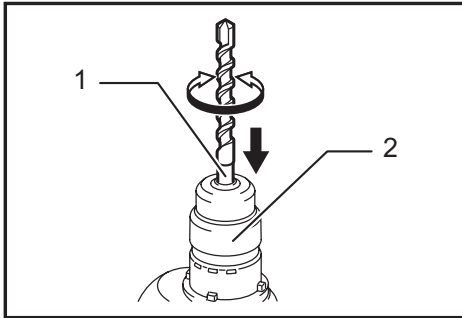
Installation et retrait du foret

Nettoyez la queue du foret et enduisez-la de graisse à foret avant d'installer le foret.



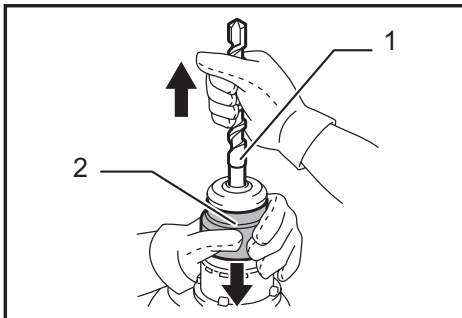
► 1. Queue du foret 2. Graisse à foret

Insérez le foret dans l'outil. Tournez le foret puis enfoncez-le jusqu'à ce qu'il soit engagé.



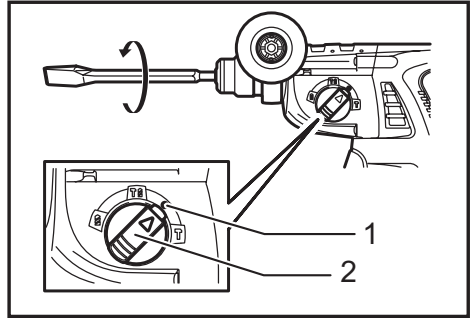
► 1. Embout 2. Couvercle du mandrin

S'il n'est pas possible d'enfoncer le foret, retirez-le. Tirez vers le bas le couvercle du mandrin à quelques reprises. Réinsérez ensuite le foret. Tournez le foret puis enfoncez-le jusqu'à ce qu'il soit engagé. Après l'installation, vérifiez toujours que le foret est solidement fixé en essayant de le sortir. Pour retirer le foret, tirez le couvercle du mandrin à fond vers le bas puis dégagez le foret.



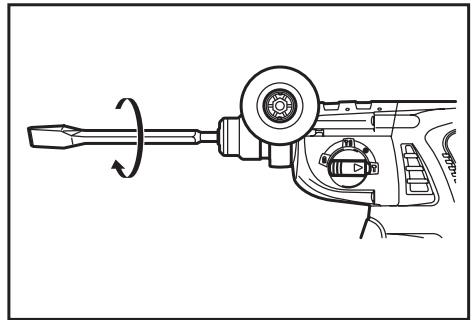
► 1. Embout 2. Couvercle du mandrin

Orientation du foret (lors d'un burinage, d'un écaillage, ou de travaux de démolition)

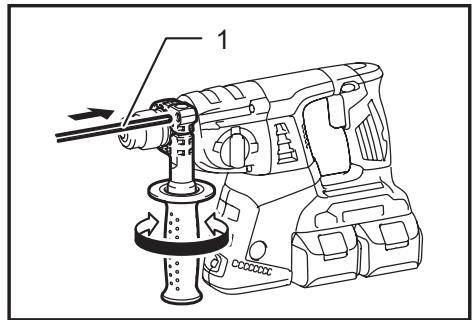


► 1. Symbole "O" 2. Bouton de changement de mode

Il est possible de fixer le foret sur l'angle désiré. Pour modifier l'angle, appuyez sur le bouton de verrouillage et tournez le bouton de changement de mode sur le symbole O. Tournez le foret à l'angle voulu. Pressez le bouton de verrouillage et tournez le bouton de changement de mode jusqu'au symbole T. Orienter le foret jusqu'à l'angle souhaité.



Jauge de profondeur

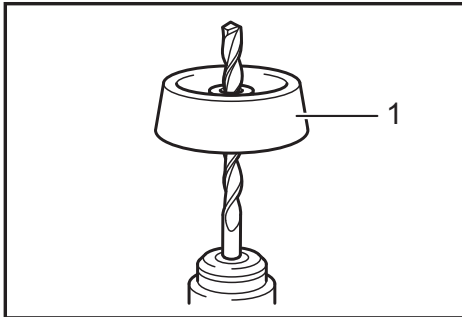


► 1. Jauge de profondeur

Le gabarit de profondeur vous permet de percer des trous de même profondeur. Desserrez la poignée latérale et insérez le gabarit de profondeur dans l'orifice de la poignée latérale. Réglez le gabarit à la profondeur désirée puis serrez la poignée latérale.

NOTE :

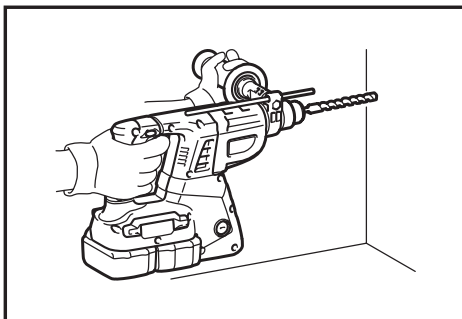
- Le gabarit de profondeur ne pourra pas être utilisé dans les positions où son extrémité arrière vient buter contre le carter.

Collecteur de poussières

► 1. Collecteur de poussières

Pour éviter que la poussière qui s'échappe du trou ne tombe sur vous lors d'un travail au-dessus de la tête, utilisez le collecteur de poussières. Engagez le collecteur sur le foret comme indiqué sur la figure. La taille de forets qu'il est possible de fixer au collecteur est comme suit.

	Diamètre du foret
Collecteur de poussières 5	6 mm (1/4") - 14,5 mm (9/16")
Collecteur de poussières 9	12 mm (15/32") - 16 mm (5/8")

UTILISATION**Perçage avec martelage**

Réglez le bouton de changement de mode sur le symbole T .

Posez la pointe du foret à l'emplacement du trou à percer et pressez sur la gâchette.

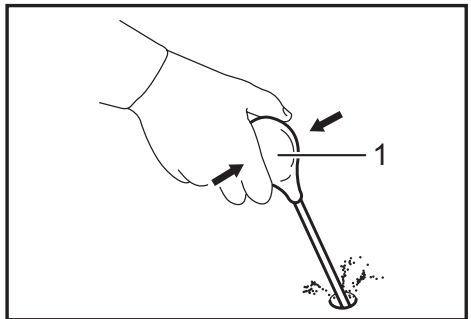
Ne forcez pas sur l'outil. Une pression légère vous donnera les meilleurs résultats. Maintenez bien l'outil en position et veillez qu'il ne dérape pas hors du trou. N'augmentez pas la pression sur l'outil lorsque le trou est bouché par des copeaux ou des particules. Au contraire, laissez le moteur tourner au ralenti, puis

retirez en partie le foret du trou. Si vous répétez cette opération plusieurs fois de suite, le trou se débouchera, et vous pourrez reprendre le perçage normalement.

ATTENTION :

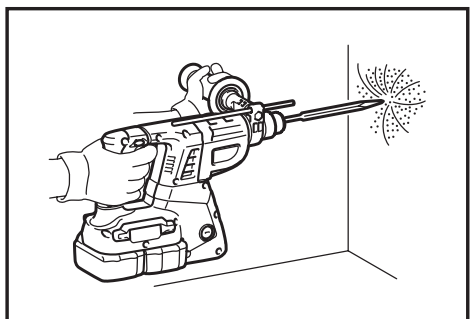
- Une force énorme s'exerce sur le foret et l'outil lorsque le foret émerge sur la face opposée, lorsque le trou est encombré de copeaux ou de particules, ou lors de la frappe sur des barres d'armature encastées dans le béton. Utilisez toujours la poignée latérale (poignée auxiliaire) et tenez fermement l'outil par la poignée latérale et par la poignée revolver lors des travaux. Sinon, vous risquez de perdre le contrôle de l'outil et de subir une blessure grave.

NOTE : Lorsque l'outil fonctionne à vide, il se peut que le foret tourne de manière excentrique. L'outil se centrera lui-même lors de l'utilisation avec charge. La précision du perçage n'est donc pas affectée.

Poire soufflante (accessoire en option)

► 1. Poire soufflante

Une fois le trou percé, utilisez la poire soufflante pour retirer la poussière du trou.

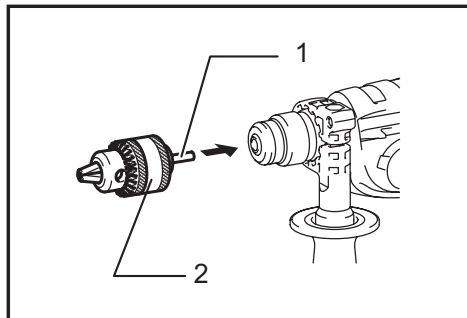
Burinage/Ecaillage/Démolition

Réglez le bouton de changement de mode sur le symbole T .

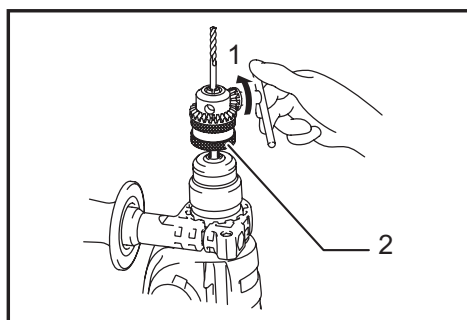
Tenez votre outil fermement à deux mains. Mettez le contact et appliquez une légère pression sur l'outil de façon qu'il ne risque pas de sauter d'un côté ou de l'autre. Appliquer une pression excessive n'augmentera pas l'efficacité de l'opération.

Perçage du bois ou du métal


Pour les modèles DHR263



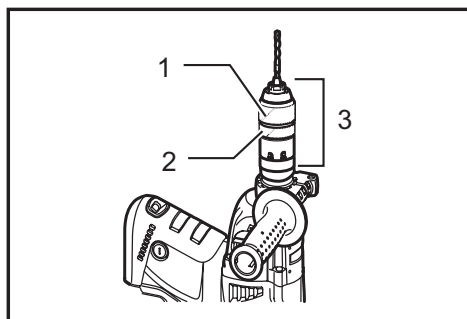
► 1. Adaptateur de mandrin 2. Mandrin



► 1. Serrer 2. Mandrin

Utilisez l'ensemble mandrin en option. Lorsque vous l'installez, référez-vous à la section "Installation ou retrait du foret", à la page précédente. Réglez le bouton de changement de mode de sorte que le pointeur indique le symbole .


Pour les modèles DHR264



► 1. Manchon 2. Bague 3. Mandrin à adaptateur rapide

Utilisez le mandrin à adaptateur rapide en équipement standard. Pour l'installer, reportez-vous à "Changer le mandrin à adaptateur rapide pour SDS-plus", à la page précédente.

Saisissez la bague et tournez le manchon dans le sens contraire des aiguilles d'une montre pour ouvrir les mâchoires du mandrin. Posez le foret dans le mandrin en l'insérant à fond. Saisissez la bague fermement et tournez le manchon dans le sens des aiguilles d'une montre pour serrer le mandrin. Pour retirer le foret, saisissez la bague et tournez le manchon dans le sens contraire des aiguilles d'une montre.

Réglez le bouton de changement de mode sur le symbole .

Vous pouvez percer des trous d'un diamètre allant jusqu'à 13 mm dans le métal et jusqu'à 32 mm dans le bois.

⚠ ATTENTION :

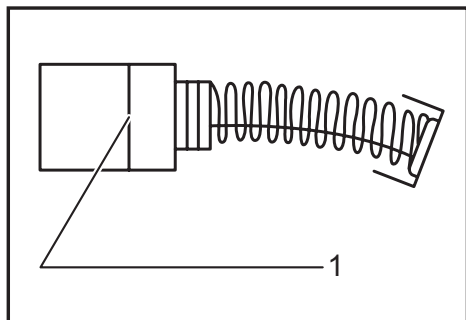
- N'utilisez jamais la "rotation et frappe" lorsque le portemandrin est engagé dans l'outil, car vous pourriez endommager l'ensemble. Par ailleurs, le verrouillage n'étant pas assuré, vous risquez de voir l'ensemble mandrin se détacher et tomber par terre.
- Une pression excessive sur l'outil n'accélère pas le perçage. Au contraire, elle risque d'endommager la pointe du foret, de réduire le rendement de l'outil et donc sa durée de service.
- Une force énorme s'exerce sur le foret et l'outil lorsque le foret émerge sur la face opposée. Tenez l'outil fermement et faites bien attention lorsque le foret commence à sortir de la face opposée de la pièce.
- Un foret coincé peut se retirer en plaçant l'inverseur sur la direction opposée. Il faut alors faire très attention car l'outil risque de reculer brusquement si vous ne le tenez pas fermement.
- Lorsque vous travaillez sur de petites pièces, fixez-les toujours dans un étau ou à l'aide d'un outil de retenue similaire.

ENTRETIEN

⚠ ATTENTION :

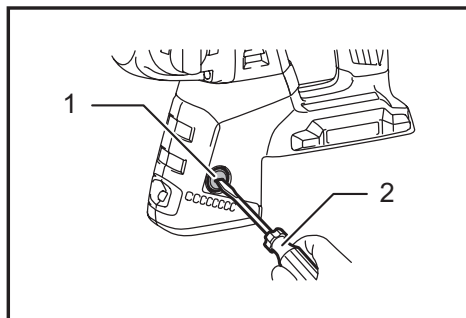
- Assurez-vous toujours que l'outil est hors tension et que la batterie est retirée avant d'y effectuer tout travail d'inspection ou d'entretien.
- N'utilisez jamais d'essence, de benzine, de solvant, d'alcool ou d'autres produits similaires. Une décoloration, une déformation, ou la formation de fissures peuvent en découler.

Remplacement des charbons



► 1. Trait de limite d'usure

Retirez et vérifiez régulièrement les charbons. Remplacez-les lorsqu'ils sont usés jusqu'au trait de limite d'usure. Maintenez les charbons propres et en état de glisser aisément dans les porte-charbon. Les deux charbons doivent être remplacés en même temps. N'utilisez que des charbons identiques. Utilisez un tournevis pour retirer les bouchons de porte-charbon. Enlevez les charbons usés, insérez-en de nouveaux et revissez solidement les bouchons de porte-charbon.



► 1. Bouchon de porte-charbon 2. Tournevis

Remontez les couvercles de porte-charbon sur l'outil. Pour maintenir la SÉCURITÉ et la FIABILITÉ du produit, les réparations, tout autre travail d'entretien ou de réglage doivent être effectués dans un centre de service Makita agréé ou un centre de service de l'usine Makita, exclusivement avec des pièces de rechange Makita.

ACCESSOIRES EN OPTION

⚠ ATTENTION :

- Ces accessoires ou pièces complémentaires sont recommandés pour l'utilisation avec l'outil Makita spécifié dans ce mode d'emploi. L'utilisation de tout autre accessoire ou pièce complémentaire peut comporter un risque de blessure. N'utilisez les accessoires ou pièces qu'aux fins auxquelles ils ont été conçus.

Si vous désirez obtenir plus de détails concernant ces accessoires, veuillez contacter le centre de service après-vente Makita le plus près.

- Foret à pointe en carbure de tungstène SDS-Plus
- Pointe à béton
- Ciseau à froid
- Ciseau à écailler
- Ciseau à rainure
- Ensemble mandrin
- Mandrin S13
- Adaptateur de mandrin
- Clé à mandrin S13
- Graisse rose
- Poignée latérale
- Jauge de profondeur
- Poire soufflante
- Collecteur de poussières
- Aspirateur
- Mallette de transport en plastique
- Mandrin auto-serrant
- Chargeur et batterie authentiques Makita

NOTE :

- Certains éléments de la liste peuvent être inclus avec l'outil comme accessoires standard. Ils peuvent varier suivant les pays.

GARANTIE LIMITÉE MAKITA

Pour les conditions de garantie en vigueur qui s'appliquent à ce produit, veuillez vous reporter à la feuille de garantie en annexe. Si la feuille de garantie en annexe n'est pas disponible, reportez-vous aux détails de la garantie présentés sur le site Web de votre pays, ci-dessous.

États-Unis d'Amérique: www.makitatools.com

Canada: www.makita.ca

Autres pays: www.makita.com

ESPECIFICACIONES

Modelo		DHR263		DHR264	
Capacidades	Concreto	26 mm (1")		26 mm (1")	
	Acero	13 mm (1/2")		13 mm (1/2")	
	Madera	32 mm (1-1/4")		32 mm (1-1/4")	
Velocidad sin carga (RPM)		0 - 1 250 r/min		0 - 1 250 r/min	
Golpes por minuto		0 - 5 000		0 - 5 000	
Longitud total		350 mm (13-3/4")		374 mm (14-3/4")	
Peso neto		4,1 kg (9,0 lbs)	4,6 kg (10,1 lbs)	4,2 kg (9,2 lbs)	4,7 kg (10,3 lbs)
Tensión nominal		36 V c.c.			
Cartucho(s) de batería estándar ⚠ Advertencia: Use solamente la(s) batería(s) indicada(s).		BL1815N / BL1820B	BL1830 / BL1830B / BL1840B / BL1850B / BL1860B	BL1815N / BL1820B	BL1830 / BL1830B / BL1840B / BL1850B / BL1860B

- Debido a nuestro programa continuo de investigación y desarrollo, las especificaciones aquí dadas están sujetas a cambios sin previo aviso.
- Nota: las especificaciones y el cartucho de la batería pueden variar de país a país.
- Peso de acuerdo al procedimiento de EPA-01/2003 incluyendo el cartucho de la batería

Advertencias de seguridad generales para herramientas eléctricas

⚠ **ADVERTENCIA:** lea todas las advertencias de seguridad e instrucciones. Si no sigue todas las advertencias e instrucciones indicadas a continuación, podrá ocasionar una descarga eléctrica, un incendio y/o lesiones graves.

Guarde todas las advertencias e instrucciones para su futura referencia.

El término "herramienta eléctrica" se refiere, en todas las advertencias que aparecen a continuación, a su herramienta eléctrica de funcionamiento con conexión a la red eléctrica (con cableado eléctrico) o herramienta eléctrica de funcionamiento a batería (inalámbrica).

Seguridad en el área de trabajo

1. **Mantenga el área de trabajo limpia y bien iluminada.** Las áreas oscuras o desordenadas son propensas a accidentes.
2. **No utilice las herramientas eléctricas en atmósferas explosivas, tal como en la presencia de líquidos, gases o polvo inflamables.** Las herramientas eléctricas crean chispas que pueden prender fuego al polvo o los humos.
3. **Mantenga a los niños y curiosos alejados mientras utiliza una herramienta eléctrica.** Las distracciones le pueden hacer perder el control.

Seguridad eléctrica

4. **Las clavijas de conexión de las herramientas eléctricas deberán encajar perfectamente en la toma de corriente. No modifique nunca la clavija de conexión de ninguna forma. No utilice ninguna clavija adaptadora con herramientas eléctricas que tengan conexión a tierra (puesta a tierra).** La utilización de clavijas no modificadas y que encajen perfectamente en la toma de corriente reducirá el riesgo de que se produzca una descarga eléctrica.

5. **Evite tocar con el cuerpo superficies conectadas a tierra o puestas a tierra tales como tubos, radiadores, cocinas y refrigeradores.** Si su cuerpo es puesto a tierra o conectado a tierra existirá un mayor riesgo de que sufra una descarga eléctrica.
6. **No exponga las herramientas eléctricas a la lluvia ni a condiciones húmedas.** La entrada de agua en una herramienta eléctrica aumentará el riesgo de que se produzca una descarga eléctrica.
7. **No jale el cable. Nunca utilice el cable para transportar, jalar o desconectar la herramienta eléctrica.** Mantenga el cable alejado del calor, aceite, objetos cortantes o piezas móviles. Los cables dañados o atrapados aumentan el riesgo de sufrir una descarga eléctrica.
8. **Cuando utilice una herramienta eléctrica en exteriores, utilice un cable de extensión apropiado para uso en exteriores.** La utilización de un cable apropiado para uso en exteriores reducirá el riesgo de que se produzca una descarga eléctrica.
9. **Si no es posible evitar usar una herramienta eléctrica en condiciones húmedas, utilice un alimentador protegido con interruptor de circuito de falla en tierra (ICFT).** El uso de un ICFT reduce el riesgo de descarga eléctrica.

Seguridad personal

10. **Manténgase alerta, preste atención a lo que está haciendo y utilice su sentido común cuando opere una herramienta eléctrica. No utilice la herramienta eléctrica cuando esté cansado o bajo la influencia de drogas, alcohol o medicamentos.** Un momento de distracción mientras opera la máquina puede dar como resultado heridas personales graves.
11. **Use equipo de protección personal. Póngase siempre protección para los ojos.** El equipo protector tal como máscara contra el polvo, zapatos de seguridad antiderrapantes, casco rígido y protección para oídos utilizado en las condiciones apropiadas reducirá las heridas personales.

12. **Impida el encendido accidental. Asegúrese de que el interruptor esté en la posición de apagado antes de conectar a la alimentación eléctrica y/o de colocar el cartucho de la batería, así como al levantar o cargar la herramienta.** Cargar las herramientas eléctricas con su dedo en el interruptor o enchufarlas con el interruptor encendido hace que los accidentes sean propensos.
13. **Retire cualquier llave de ajuste o llave de apriete antes de encender la herramienta.** Una llave de ajuste o llave de apriete que haya sido dejada puesta en una parte giratoria de la herramienta eléctrica podrá resultar en heridas personales.
14. **No utilice la herramienta donde no alcance.** Mantenga los pies sobre suelo firme y el equilibrio en todo momento. Esto permite un mejor control de la herramienta eléctrica en situaciones inesperadas.
15. **Use vestimenta apropiada. No use ropas sueltas ni joyas. Mantenga el cabello, la ropa y los guantes alejados de las piezas móviles.** Las prendas de vestir holgadas, las joyas y el cabello suelto podrían engancharse en estas piezas móviles.
16. **Si dispone de dispositivos para la conexión de equipos de extracción y recolección de polvo, asegúrese de conectarlos y utilizarlos debidamente.** La utilización de estos dispositivos reduce los riesgos relacionados con el polvo.

Mantenimiento y uso de la herramienta eléctrica

17. **No fuerce la herramienta eléctrica. Utilice la herramienta eléctrica correcta para su aplicación.** La herramienta eléctrica adecuada hará un trabajo mejor a la velocidad para la que ha sido fabricada.
18. **No utilice la herramienta eléctrica si el interruptor no la enciende y apaga.** Cualquier herramienta eléctrica que no pueda ser controlada con el interruptor es peligrosa y debe ser reemplazada.
19. **Desconecte la clavija de la fuente de energía y/o la batería de la herramienta eléctrica antes de realizar ajustes, cambiar accesorios o guardar las herramientas eléctricas.** Dichas medidas de seguridad preventivas reducen el riesgo de que la herramienta se inicie accidentalmente.
20. **Guarde la herramienta eléctrica que no use fuera del alcance de los niños y no permita que las personas que no están familiarizadas con ella o con las instrucciones la operen.** Las herramientas eléctricas son peligrosas en manos de personas que no saben operarlas.
21. **Realice el mantenimiento a las herramientas eléctricas. Compruebe que no haya partes móviles desalineadas o estancadas, piezas rotas y cualquier otra condición que pueda afectar al funcionamiento de la herramienta eléctrica. Si la herramienta eléctrica está dañada, haga que se la reparen antes de utilizarla.** Muchos accidentes son ocasionados por herramientas eléctricas con un mal mantenimiento.
22. **Mantenga las herramientas de corte limpias y filosas.** Si recibe un mantenimiento adecuado y tiene los bordes afilados, es probable que la herramienta se ataque menos y sea más fácil controlarla.
23. **Utilice la herramienta eléctrica, así como accesorios, piezas, brocas, etc. de acuerdo con estas instrucciones y de la manera establecida para cada tipo de unidad en particular; tenga en cuenta las condiciones laborales y el trabajo a realizar.** Si utiliza la herramienta eléctrica para realizar operaciones distintas de las indicadas, podrá presentarse una situación peligrosa.

Uso y cuidado de la herramienta a batería

24. **Realice la recarga sólo con el cargador especificado por el fabricante.** Un cargador que es adecuado para un solo tipo de batería puede generar riesgo de incendio al ser utilizado con otra batería.
25. **Utilice las herramientas eléctricas solamente con las baterías designadas específicamente para ellas.** La utilización de cualquier otra batería puede crear un riesgo de heridas o incendio.
26. **Cuando no se esté usando el cartucho de la batería, manténgalo alejado de otros objetos metálicos, como sujetapapeles (clips), monedas, llaves, clavos, tornillos u otros objetos pequeños de metal los cuales pueden actuar creando una conexión entre las terminales de la batería.** Cerrar el circuito de las terminales de la batería puede causar quemaduras o incendios.
27. **En condiciones abusivas, podrá escapar líquido de la batería; evite tocarlo. Si lo toca accidentalmente, enjuague con agua. Si hay contacto del líquido con los ojos, acuda por ayuda médica.** Puede que el líquido expulsado de la batería cause irritación o quemaduras.

Servicio de mantenimiento

28. **Haga que una persona calificada repare la herramienta utilizando sólo piezas de repuesto idénticas.** Esto asegura que se mantenga la seguridad de la herramienta eléctrica.
29. **Siga las instrucciones para la lubricación y cambio de accesorios.**
30. **Mantenga las agarraderas secas, limpias y sin aceite o grasa.**

ADVERTENCIAS DE SEGURIDAD PARA EL MARTILLO ROTATIVO INALÁMBRICO

1. **Utilice protectores para oídos.** La exposición al ruido puede causar la pérdida auditiva.
2. **Utilice el/los mango(s) auxiliar(es) si es que se incluye(n) en la herramienta.** Una pérdida del control puede ocasionar lesiones personales.
3. **Sujete la herramienta eléctrica por las superficies aisladas de sujeción al realizar una operación en la que el accesorio de corte pueda entrar en contacto con cables ocultos.** El accesorio de corte que haga contacto con un cable electrificado puede dejarlo expuesto y electrificar las piezas metálicas de la herramienta, lo cual podría ocasionar una descarga eléctrica al operador.
4. **Utilice un casco protector (de seguridad), gafas de seguridad y/o máscara protectora. Los anteojos comunes o para el sol NO son gafas de seguridad. También se recomienda usar una mascarilla para protegerse del polvo y guantes bien acolchados.**
5. **Asegúrese de que la broca se encuentre fija en su lugar antes de su funcionamiento.**
6. **En condiciones normales de funcionamiento, la herramienta está diseñada para producir vibración. Los tornillos pueden aflojarse fácilmente y causar una falla o accidente. Verifique cuidadosamente si los tornillos están ajustados antes de poner en funcionamiento la herramienta.**


7. En clima frío o cuando la herramienta no haya sido utilizada durante largo tiempo, deje calentar la herramienta durante un rato haciéndola funcionar sin carga. Esto agilizará la lubricación. Sin un calentamiento apropiado, la operación de percusión resultará difícil de realizar.
8. Asegúrese siempre de que pisa sobre suelo firme.
Asegúrese de que no haya nadie debajo cuando utilice la herramienta en lugares altos.
9. Sujete la herramienta firmemente con ambas manos.
10. Mantenga las manos alejadas de las partes móviles.
11. No deje la herramienta en marcha. Tenga en marcha la herramienta solamente cuando la tenga en la mano.
12. No apunte a ninguna persona cercana con la herramienta cuando la opere. La broca puede salir volando y herir a alguien de gravedad.
13. No toque la broca o las partes cercanas a ella inmediatamente después de operar la herramienta puesto que pueden estar calientes y quemarle la piel.
14. Algunos materiales contienen sustancias químicas que pueden ser tóxicas. Tome precauciones para evitar la inhalación de polvo o que éste tenga contacto con la piel. Consulte la información de seguridad del proveedor de los materiales.

GUARDE ESTAS INSTRUCCIONES.

⚠ADVERTENCIA: NO DEJE que la comodidad o familiaridad con el producto (a base de utilizarlo repetidamente) sustituya la estricta observancia de las normas de seguridad para dicho producto. El MAL USO o el no seguir las normas de seguridad establecidas en este manual de instrucciones puede ocasionar graves lesiones personales.

Símbolos

A continuación se muestran los símbolos utilizados para la herramienta.

V	volts o voltios
— — —	corriente directa o continua
n _o	velocidad en vacío o sin carga
... /min r /min	revoluciones o alternaciones por minuto, frecuencia de rotación
	número de percusiones

INSTRUCCIONES IMPORTANTES DE SEGURIDAD

PARA CARTUCHO DE BATERÍA

1. Antes de utilizar el cartucho de batería, lea todas las instrucciones e indicaciones de precaución sobre (1) el cargador de baterías, (2) la batería, y (3) el producto con el que se utiliza la batería.
2. No desarme el cartucho de batería.
3. Si el tiempo de operación se ha acortado en exceso, deje de operar de inmediato. Podría correrse el riesgo de sobrecalentamiento, posibles quemaduras e incluso explosión.
4. En caso de que ingresen electrolitos en sus ojos, enjuáguelos bien con agua limpia y consulte de inmediato a un médico. Podría perder la visión.
5. No cortocircuite el cartucho de batería:
 - (1) No toque las terminales con ningún material conductor.
 - (2) Evite guardar el cartucho de batería en un cajón junto con otros objetos metálicos, tales como clavos, monedas, etc.
 - (3) No exponga la batería de cartucho a la lluvia o nieve.

Un corto circuito en la batería puede causar un flujo grande de corriente, sobrecalentamiento, posibles quemaduras y aún descomposturas.

6. No guarde la herramienta ni el cartucho de batería en lugares donde la temperatura pueda alcanzar o exceder los 50°C (122°F).
7. Nunca incinere el cartucho de batería incluso en el caso de que esté dañado seriamente o ya no sirva en absoluto. El cartucho de batería puede explotar si se tira al fuego.
8. Tenga cuidado de no dejar caer ni golpear el cartucho de batería.
9. No use una batería dañada.
10. Siga las regulaciones locales relacionadas al desecho de las baterías.

GUARDE ESTAS INSTRUCCIONES.

⚠PRECAUCIÓN: Use solo baterías auténticas de Makita. El uso de baterías no auténticas de Makita, o baterías que hayan sido alteradas, puede que resulte en la explosión de la batería, originando un incendio, así como lesiones al usuario y daños. También anulará la garantía de Makita para la herramienta y el cargador Makita.

Consejos para alargar al máximo la vida útil de la batería

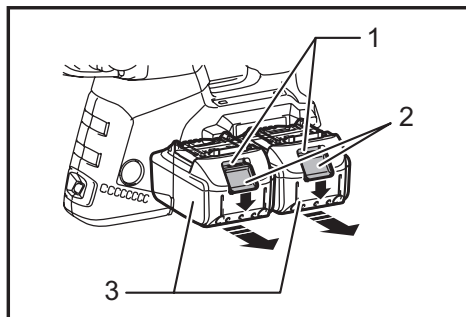
1. **Cargue el cartucho de batería antes de que se descargue completamente.**
Pare siempre la operación y cargue el cartucho de batería cuando note menos potencia en la herramienta.
2. **No cargue nunca un cartucho de batería que esté completamente cargado.**
La sobrecarga acortará la vida de servicio de la batería.
3. **Cargue el cartucho de batería a temperatura ambiente de 10°C - 40°C (50°F - 104°F).** Si un cartucho de batería está caliente, déjelo enfriar antes de cargarlo.
4. **Cargue el cartucho de batería si no lo ha usado por un largo período (más de seis meses).**

DESCRIPCIÓN DEL FUNCIONAMIENTO

⚠️ PRECAUCIÓN:

- Asegúrese siempre de que la herramienta esté apagada y el cartucho de batería extraído antes de realizar cualquier ajuste o comprobación en la herramienta.

Instalación o desmontaje del cartucho de batería



- 1. Indicador rojo 2. Botón 3. Cartucho de batería

⚠️ PRECAUCIÓN:

- Apague siempre la herramienta antes de colocar o quitar el cartucho de batería.
- **Sujete la herramienta y el cartucho de la batería con firmeza al colocar o quitar el cartucho.** Si no se sujeta con firmeza la herramienta y el cartucho de la batería, puede ocasionar que se resbalen de sus manos resultando en daños a la herramienta y al cartucho, así como lesiones a la persona.

Para quitar el cartucho de batería, deslícelo de la herramienta mientras desliza el botón sobre la parte delantera del cartucho.

Para colocar el cartucho de batería, alinee la lengüeta sobre el cartucho de batería con la ranura en la carcasa y deslice en su lugar. Inserte por completo hasta que se fije en su lugar con un pequeño clic. Si puede ver el indicador rojo del lado superior del botón, esto indica que no ha quedado fijo por completo.

⚠️ PRECAUCIÓN:

- Introduzca siempre completamente el cartucho de batería hasta que el indicador rojo no pueda verse. Si no, podría accidentalmente salirse de la herramienta y caer al suelo causando una lesión a usted o alguien a su alrededor.
- No instale el cartucho de batería a la fuerza: si el cartucho no se desliza al interior fácilmente, se debe a que no está siendo insertado correctamente.

NOTA:

- La herramienta no funciona con solo un cartucho de batería.

Sistema de protección de la herramienta / batería

La herramienta está equipada con un sistema de protección de la herramienta / batería. Este sistema corta en forma automática el suministro de energía al motor para prolongar la vida útil de la herramienta y batería. La herramienta se detendrá automáticamente durante el funcionamiento si la herramienta o la batería se someten a una de las siguientes condiciones: En algunas condiciones, las luces indicadoras se encienden.

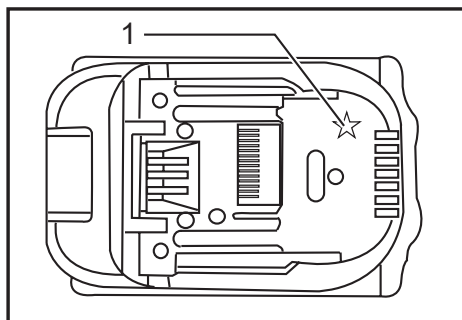
Protección contra sobrecarga

Cuando la herramienta es utilizada de tal manera que cause un consumo anormalmente alto de corriente, la herramienta automáticamente se para sin indicación alguna. En este caso, apague la herramienta y detenga la aplicación que causó que la herramienta se sobrecargara. Luego encienda la herramienta y reinicie.

Protección contra el sobrecalentamiento de la batería

Cuando la batería se sobrecalienta, la herramienta se para automáticamente sin indicación alguna. La herramienta no se acciona incluso al jalar el gatillo interruptor. En este caso, espere que la batería se enfríe antes de volver a encender la herramienta.

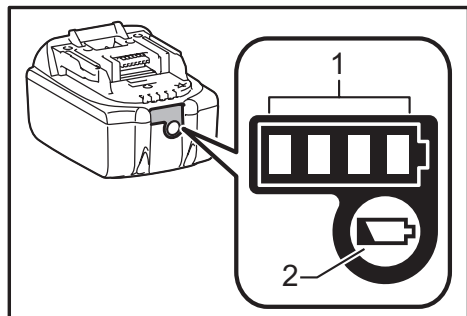
NOTA: La protección contra el sobrecalentamiento de la batería funciona solamente con un cartucho de batería el cual presente una marca de estrella.



- 1. Marca de estrella

Indicación de la capacidad restante de la batería

(Solo para cartuchos de batería con una "B" al final del número de modelo.)



► 1. Luces indicadoras 2. Botón de verificación "CHECK"

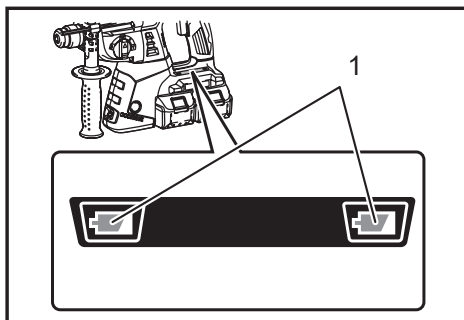
Presione el botón de comprobación en el cartucho de la batería para indicar la capacidad restante de la batería. La luz indicadora se enciende por algunos segundos.

Luces indicadoras			Capacidad restante
Encendido	APAGADO	Intermitencia	
■	□	▧	75% a 100%
■ ■ ■ ■	□ □ □ □	▧	
■	□	▧	50% a 75%
■ ■ ■ ■	□ □ □ □	▧	25% a 50%
■	□	▧	0% a 25%
■ ■ ■ ■	□ □ □ □	▧	Recargue la batería.
■ ■ ■ ■	□ □ □ □	▧	Puede que haya un defecto en el funcionamiento de la batería.
□ □ □ □	■ ■ ■ ■	▧	

NOTA:

- Dependiendo de las condiciones de uso y de la temperatura ambiental, puede que el nivel indicado difiera ligeramente de la capacidad real de la batería.

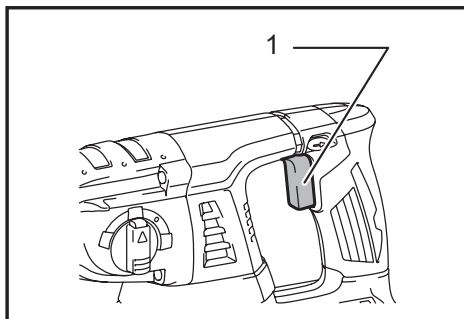
Protección contra sobrecargas



► 1. Indicador de batería

Cuando la capacidad restante de la batería sea baja, la luz indicadora de la batería parpadea en el lado que corresponda de la batería. Si se continúa usando, la herramienta parará y el indicador de la batería se encenderá por alrededor de 10 segundos. En este caso, recargue el cartucho de batería.

Accionamiento del interruptor



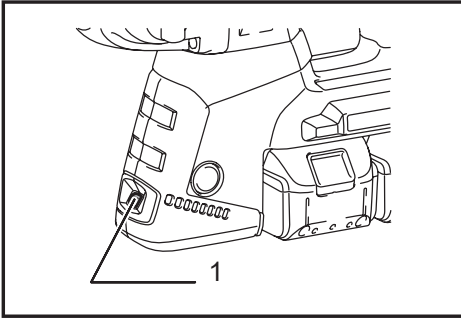
► 1. Gatillo interruptor

PRECAUCIÓN:

- Antes de insertar el cartucho de batería en la herramienta, compruebe siempre y cerciórese de que el gatillo interruptor se acciona debidamente y que vuelve a la posición "OFF" (apagado) cuando lo suelta.

Para poner en marcha la herramienta, simplemente apriete el gatillo interruptor. La velocidad de la herramienta aumenta incrementando la presión en el gatillo. Suelte el gatillo interruptor para parar.

Encendido de la luz indicadora



► 1. Lámpara

PRECAUCIÓN:

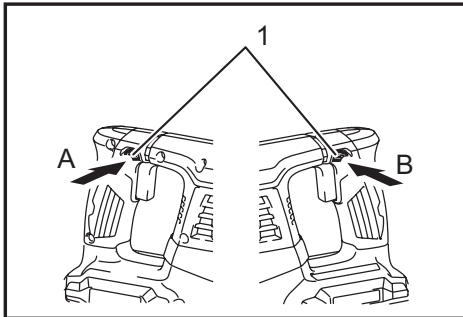
- No mire a la luz ni vea la fuente de luz directamente.

Apriete el gatillo interruptor para encender la lámpara. La lámpara seguirá encendida mientras el gatillo interruptor esté siendo apretado. La luz se apagará automáticamente 10 - 15 segundos después de soltar el gatillo interruptor.

NOTA:

- Utilice un paño seco para quitar la suciedad de la lente de la lámpara. Tenga cuidado de no rayar la lente de la lámpara, porque podrá disminuir la iluminación.
- No utilice tiner ni gasolina para limpiar la luz indicadora. Estos solventes podrían dañarla.

Accionamiento del conmutador de inversión de giro



► 1. Palanca del conmutador de inversión de giro

Esta herramienta tiene un conmutador de inversión para cambiar la dirección de giro. Presione hacia dentro la palanca del conmutador de inversión del lado A para giro hacia la derecha o del lado B para giro hacia la izquierda.

Cuando la palanca del conmutador de inversión esté en la posición neutral, no se podrá apretar el gatillo interruptor.

PRECAUCIÓN:

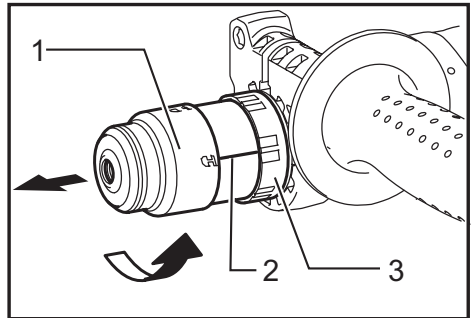
- Confirme siempre la dirección de giro antes de la operación.
- Utilice el conmutador de inversión solamente después de que la herramienta haya parado completamente. Si cambia la dirección de giro antes de que la herramienta haya parado podrá dañarla.
- Cuando no esté utilizando la herramienta, ponga siempre la palanca del conmutador de inversión en la posición neutral.

Cambio del mandril de cambio rápido para SDS-plus

Para modelo DHR264

El mandril de cambio rápido para SDS-plus puede intercambiarse fácilmente por el mandril de cambio rápido convencional.



Extracción del mandril de cambio rápido para SDS-plus



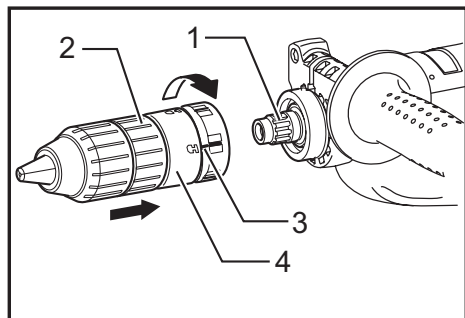
► 1. Mandril de cambio rápido para SDS-plus 2. Línea de cubierta de cambio 3. Cubierta de cambio

PRECAUCIÓN:



- Antes de quitar el mandril de cambio rápido para SDS-plus, siempre quite el cincel/broca.


Sujete la cubierta de cambio de cubierta del mandril de cambio rápido para SDS-plus y gírela en dirección de la flecha hasta que la línea de la cubierta de cambio se desplace del símbolo  al símbolo . Jale la herramienta hacia la dirección de la flecha.

Colocación del mandril de cambio rápido convencional.



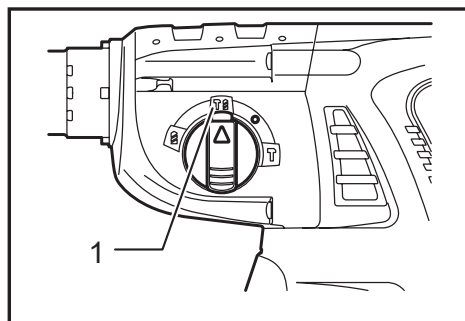
► 1. Eje 2. Mandril de cambio rápido 3. Línea de cubierta de cambio 4. Cubierta de cambio

Compruebe que la línea del mandril de cambio rápido muestre el símbolo . Sujete la cubierta de cambio del mandril de cambio rápido y ajuste la línea al símbolo . Coloque el mandril de cambio rápido en el eje de la herramienta.


Sujete la cubierta de cambio del mandril de cambio rápido y gire la línea de la cubierta de cambio al símbolo  hasta que se escuche un clic con claridad.

Selección del modo de accionamiento

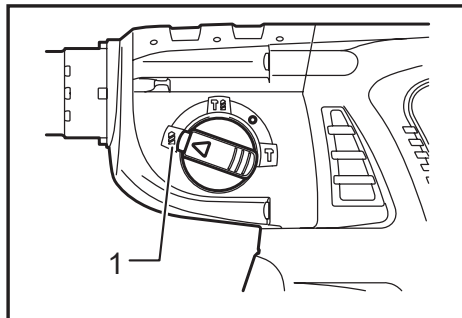
Rotación de martillo




► 1. Rotación con martilleo

Para taladrar concreto, mampostería, etc. pulse la traba y gire la perilla que cambia el modo de accionamiento al símbolo . Utilice una broca de carburo de tungsteno.

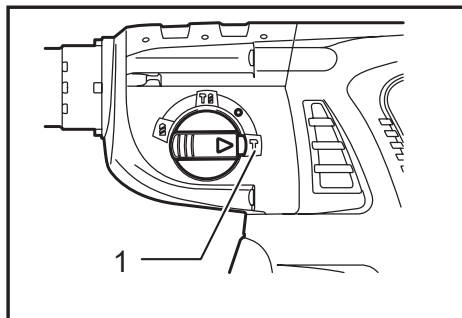
Acción de rotación solamente




► 1. Rotación solamente

Para taladrar madera, metal o plástico, suelte la traba y gire la perilla que cambia el modo de accionamiento al símbolo . Utilice una broca para madera o de espiral.

Acción de martillo solamente



► 1. Martilleo solamente

Si desea demoler, cortar o tallar, gire la perilla que cambia el modo de acción al símbolo . Utilice un cincel de punta, cincel plano, formón, etc.

PRECAUCIÓN:

- No gire la perilla que cambia el modo de acción cuando la herramienta está en ejecución, ya que puede dañarse.
- Para evitar el desgaste rápido del mecanismo de cambio modo, asegúrese de que la perilla que cambia el modo de accionamiento se encuentre siempre ubicada positivamente en una de las tres posiciones del modo acción.

Limitador de torsión

El limitador de torsión se accionará cuando se llega a un determinado nivel de torsión. El motor se desengancha del eje de salida y cuando esto sucede la broca deja de girar.

⚠ PRECAUCIÓN:

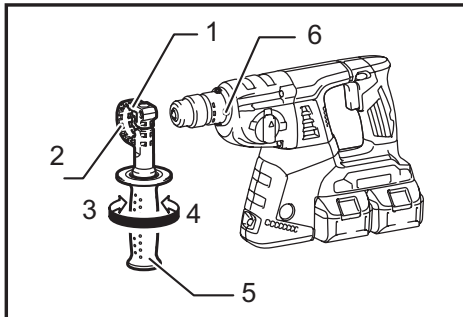
- Si no se acciona bien el limitador de torsión, apague de inmediato la herramienta. De esta manera, evitará el desgaste prematuro de la misma.
- Con esta herramienta, no pueden utilizarse sierras perforadoras ya que tienden a taladrar o a pasar fácilmente por los orificios, lo que provocará que el limitador de torsión se accione con demasiada frecuencia.

ENSAMBLE

⚠ PRECAUCIÓN:

- Asegúrese siempre de que la herramienta esté apagada y el cartucho de batería extraído antes de realizar cualquier trabajo en la misma.

Empuñadura lateral (auxiliar)



- 1. Base de la empuñadura 2. Dientes 3. Aflojar
4. Apretar 5. Empuñadura lateral de mango
6. Protuberancia

⚠ PRECAUCIÓN:

- Utilice siempre la empuñadura lateral para asegurarse de que opera la herramienta en forma segura.

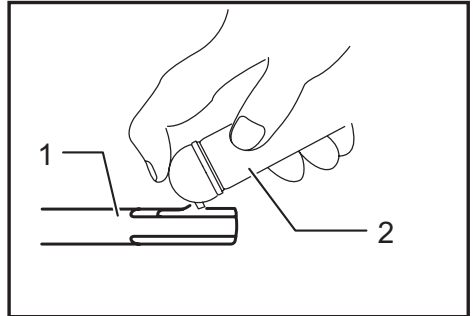
Instale la empuñadura lateral a fin de que los dientes de la empuñadura encajen entre las salientes del cuerpo de la herramienta. Luego ajuste la empuñadura a la posición deseada girándola en el sentido de las agujas del reloj. Puede rotarse a 360° para que esté firme en cualquier posición.

Grasa para brocas

Cubra la cabeza del zanco de la broca antes de la tarea con una pequeña cantidad de grasa para brocas (aprox. 0,5 g - 1 g ; 0,02 - 0,04 oz). Esta lubricación del portabrocas asegurará un accionamiento suave y una vida de servicio más larga.

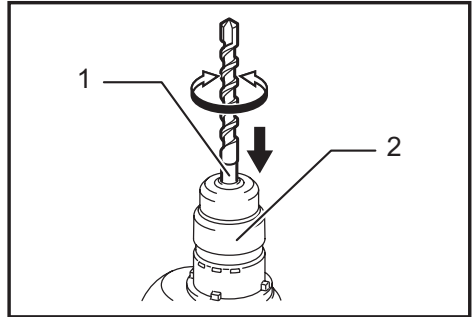
Instalación o extracción del cincel o la broca

Limpie el zanco del cincel/broca y aplíquelo grasa antes de instalarlo.



- 1. Zanco de la broca/cincel 2. Grasa para broca/cincel

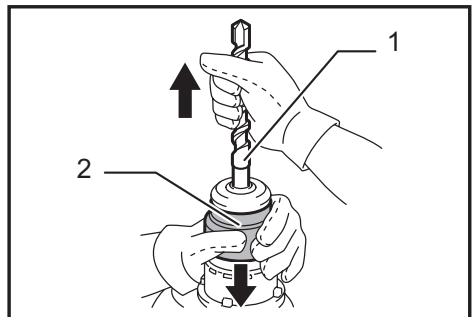
Inserte la broca o el cincel en la herramienta. Gírelo y presiónelo hacia dentro hasta que quede encajado.



- 1. Cincel o broca 2. Cubierta del mandril

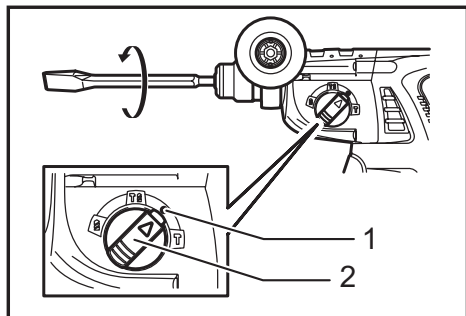
Si la broca no puede ser empujada hacia dentro, extráigala. Tire de la cubierta del mandril hacia abajo unas cuantas veces. Después vuelva a insertar la broca. Gire la broca y presiónela hacia dentro hasta que quede encajada.

Después de la instalación, asegúrese siempre de que esté bien sujeto en el mandril intentando sacarlo. Para retirar la broca/cincel, jale hacia abajo la cubierta del mandril y empuje la broca/cincel hacia el exterior.



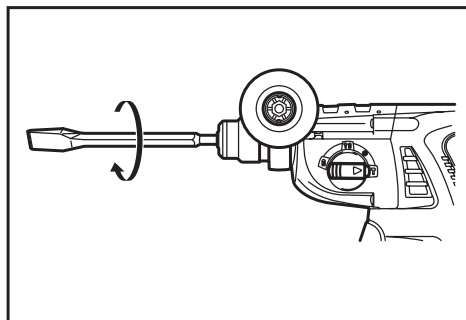
- 1. Cincel o broca 2. Cubierta del mandril

Ángulo de cincel (al cortar, demoler o tallar)

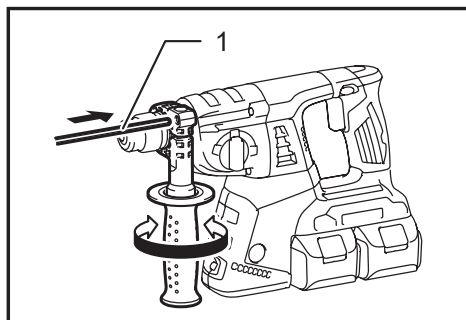


► 1. Símbolo O 2. Perilla que cambia el modo de acción

La broca puede colocarse en el ángulo que se desee. Para cambiar el ángulo de la broca, suelte la traba y gire la perilla que cambia el modo de accionamiento al símbolo O. Gire la broca al ángulo deseado. Suelte la traba y gire la perilla que cambia el modo de accionamiento al símbolo T. Luego asegúrese de que la broca se encuentra bien fija en su lugar girándola un poco.



Calibrador de profundidad



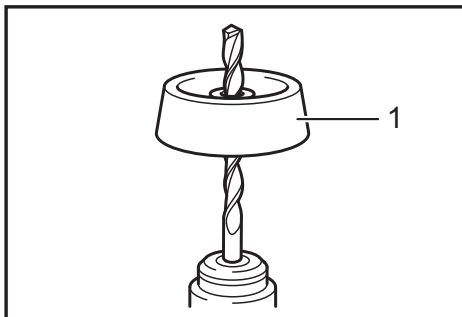
► 1. Calibrador de profundidad

El calibrador de profundidad sirve para taladrar agujeros de profundidad uniforme. Afloje la empuñadura lateral e inserte el calibrador de profundidad en el agujero de la empuñadura lateral. Ajuste el calibrador a la profundidad deseada y apriete.

NOTA:

- El calibrador de profundidad no puede ser utilizado en la posición en que éste golpea contra la caja de engranajes.

Contenedor de polvo (opcional)



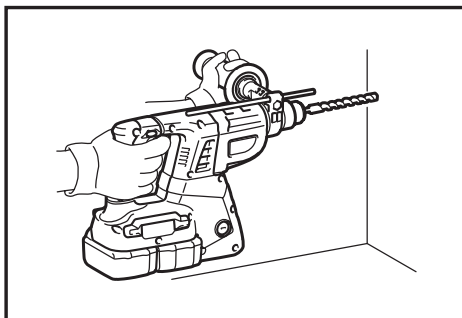
► 1. Contenedor de polvo

Utilice el contenedor de polvo y evite así que el polvo caiga sobre la herramienta o sobre usted cuando realice perforaciones arriba de usted. Adhiera el contenedor de polvo a la broca como se muestra en la figura. La medida de las brocas a la que puede fijarse el contenedor de polvo es de la siguiente manera.

	Diámetro de la broca
Contenedor de polvo 5	6 mm (1/4") - 14,5 mm (9/16")
Contenedor de polvo 9	12 mm (15/32") - 16 mm (5/8")

OPERACIÓN

Operación de taladrado con percusión



Ajuste la perilla que cambia el modo de accionamiento al símbolo T.

Posicione la broca en el lugar deseado del orificio y luego accione el gatillo interruptor.

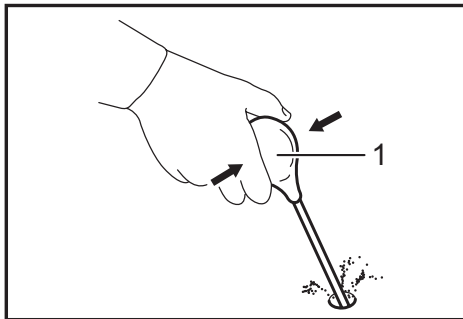
No fuerce la herramienta. Con una presión menor, obtiene mejores resultados. Mantenga la herramienta en la posición adecuada y evite que se resbale del orificio. No haga más presión cuando el orificio esté obstruido con partículas o virutas. Por el contrario, accione la herramienta en vacío y luego retire la broca parcialmente del orificio. Si repite esta acción varias veces, el orificio se limpiará y se reanudará la perforación normal.

⚠️ PRECAUCIÓN:

- En el momento de comenzar a penetrar, cuando se satura el agujero con virutas y partículas, o cuando se topa contra varillas de refuerzo de hormigón armado, se ejerce una tremenda y repentina fuerza de torsión sobre la herramienta/broca. Utilice siempre la empuñadura lateral (empuñadura auxiliar) y sujete la herramienta firmemente por la empuñadura lateral y empuñadura del interruptor durante las operaciones. En caso contrario podrá resultar en la pérdida del control de la herramienta y posiblemente graves heridas.

NOTA: Puede ocurrir el descentramiento de la rotación de la broca al operar la herramienta sin carga. La herramienta se centra sola automáticamente durante su operación y esto no afecta la precisión de la perforación.

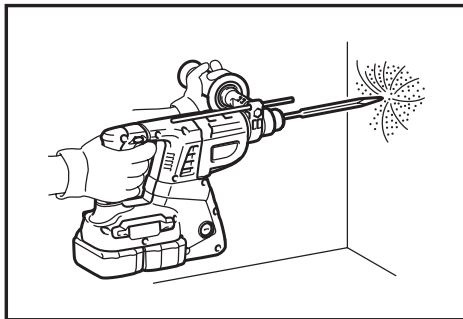
Soplador (Accesorio opcional)



► 1. Soplador

Después de taladrar el agujero, utilice el soplador para limpiar el polvo del agujero.

Cincelado/Tallado/Demolición

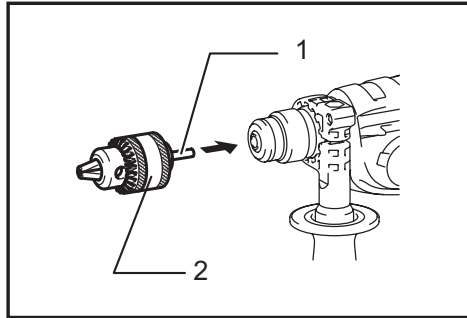


Fije la perilla que cambia el modo de accionamiento al símbolo

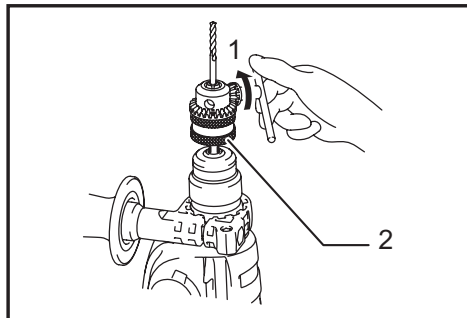
Sostenga la herramienta firmemente con ambas manos. Encienda la herramienta y aplique una leve presión sobre ésta para evitar que la herramienta rebote sin control. Hacer una presión excesiva con la herramienta no mejorará la eficiencia.

Perforación de madera y metal

Para modelo DHR263



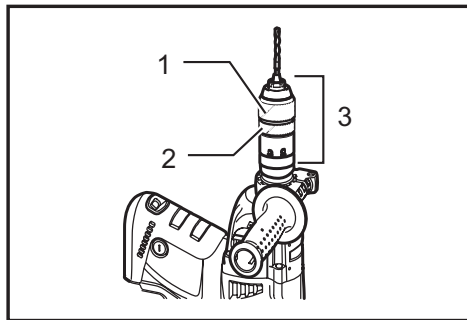
► 1. Adaptador de mandril 2. Mandril de taladro



► 1. Apretar 2. Mandril de taladro

Utilice el montaje opcional del mandril. Al instalarlo, consulte la sección "Instalación o remoción de la broca", que aparece en páginas anteriores. Establezca la perilla que cambia el modo de acción de tal forma que el indicador apunte hacia el símbolo


Para modelo DHR264



► 1. Base de mandril 2. Anillo 3. Mandril de cambio rápido

Use el mandril de cambio rápido como el equipo estándar. Al instalarlo, consulte "Cambio del mandril de cambio rápido para SDS-plus" que se menciona en la página anterior.

Sostenga el mandril por la base y gire el anillo de ajuste en dirección contraria a las manecillas del reloj para abrir las mordazas. Coloque la broca en el mandril tan a fondo como sea posible. Sostenga la base firmemente y gire el anillo en dirección de las agujas del reloj para apretar el mandril. Para desinstalar la broca, sostenga la base y gire el anillo en dirección contraria a las agujas del reloj.

Fije la perilla que cambia el modo de accionamiento al símbolo .

Puede perforar hasta 13 mm de diámetro en metal y hasta 32 mm de diámetro en madera.

⚠ PRECAUCIÓN:

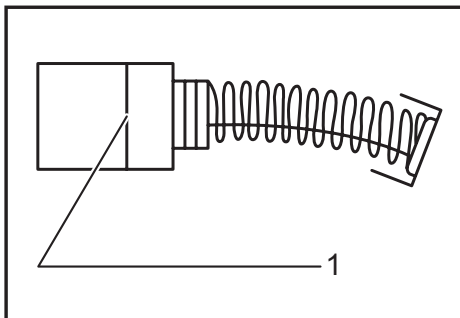
- Nunca utilice la acción de "rotación con martilleo" cuando el montaje opcional esté instalado en la herramienta. Podría dañarse el montaje opcional del mandril. Además, el mandril puede salirse al invertir la herramienta.
- Con ejercer una presión excesiva sobre la herramienta no conseguirá taladrar más rápido. De hecho, esta presión excesiva sólo servirá para dañar la punta de la broca, disminuir el rendimiento de la herramienta y acortar su vida de servicio.
- Se ejerce una tremenda fuerza de torsión en la broca/herramienta en el momento de pasar por el orificio. Sostenga firmemente la herramienta y tenga cuidado cuando la broca comience a romper la pieza de trabajo.
- Una broca atorada podrá extraerse simplemente poniendo el conmutador de inversión en giro contrario para que retroceda. Sin embargo, la herramienta podrá retroceder bruscamente si no la sujeta firmemente.
- Sujete siempre las piezas de trabajo pequeñas en un taburete o sujetador de herramientas similar.

MANTENIMIENTO

⚠ PRECAUCIÓN:

- Asegúrese siempre de que la herramienta esté apagada y el cartucho de batería extraído antes de intentar realizar una inspección o mantenimiento.
- Nunca use gasolina, bencina, diluyente (tíner), alcohol o sustancias similares. Puede que esto ocasione grietas o descoloramiento.

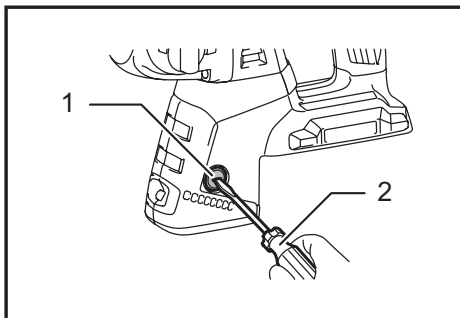
Reemplazamiento de las escobillas de carbón



► 1. Marca límite

Extraiga e inspeccione de forma periódica las escobillas de carbón. Sustitúyalas cuando se hayan gastado hasta la marca límite. Mantenga las escobillas de carbón limpias de forma que entren libremente en los portaescobillas. Ambas escobillas de carbón deberán ser sustituidas al mismo tiempo. Utilice únicamente escobillas de carbón originales e idénticas.

Utilice un destornillador para quitar Tapa del carbón. Extraiga las escobillas gastadas, inserte las nuevas y vuelva a colocar las tapas.



► 1. Tapa del carbón 2. Destornillador

Vuelva a colocar las cubiertas del sujetador de la tapa sobre la herramienta.

Para mantener la **SEGURIDAD** y **FIABILIDAD** del producto, las reparaciones, y cualquier otra tarea de mantenimiento o ajuste deberán ser realizadas en Centros de Servicio Autorizados por Makita, empleando siempre repuestos Makita.

ACCESORIOS OPCIONALES

⚠️ PRECAUCIÓN:

- Estos accesorios o aditamentos (incluidos o no) están recomendados para utilizar con su herramienta Makita especificada en este manual. El empleo de cualesquiera otros accesorios o acoplamientos conllevará un riesgo de sufrir heridas personales. Utilice los accesorios o acoplamientos solamente para su fin establecido.

Si necesita cualquier ayuda para más detalles en relación con estos accesorios, pregunte a su centro de servicio Makita local.

- Brocas con punta de carburo SDS- PLUS
- Cíncel de punta
- Cíncel plano
- Cíncel desincrustador
- Cíncel ranurado
- Montaje de mandril
- Mandril S13
- Adaptador de mandril
- Llave de mandril S13
- Grasa para brocas
- Empuñadura lateral de mango
- Calibrador de profundidad
- Soplador
- Contenedor de polvo (opcional)
- Acoplamiento extractor de polvo
- Maletín de transporte de plástico
- Mandril sin llave
- Batería y cargador originales de Makita

NOTA:

- Algunos de los artículos en la lista puede que vengan junto con el paquete de la herramienta como accesorios incluidos. Puede que estos accesorios varíen de país a país.

GARANTÍA LIMITADA DE MAKITA

Ésta Garantía no aplica para México

Consulte la hoja de la garantía anexa para ver los términos más vigentes de la garantía aplicable a este producto. En caso de no disponer de esta hoja de garantía anexa, consulte los detalles sobre la garantía descritos en el sitio web de su país respectivo indicado a continuación.

Estados Unidos de América: www.makitatools.com

Canadá: www.makita.ca

Otros países: www.makita.com

< USA only >

WARNING

Some dust created by power sanding, sawing, grinding, drilling, and other construction activities contains chemicals known to the State of California to cause cancer, birth defects or other reproductive harm. Some examples of these chemicals are:

- lead from lead-based paints,
- crystalline silica from bricks and cement and other masonry products, and
- arsenic and chromium from chemically-treated lumber.

Your risk from these exposures varies, depending on how often you do this type of work. To reduce your exposure to these chemicals: work in a well ventilated area, and work with approved safety equipment, such as those dust masks that are specially designed to filter out microscopic particles.

< Sólo en los Estados Unidos >

ADVERTENCIA

Algunos polvos creados por el lijado, aserrado, esmerilado, taladrado y otras actividades de la construcción contienen sustancias químicas reconocidas por el Estado de California como causantes de cáncer, defectos de nacimiento y otros peligros de reproducción. Algunos ejemplos de estos productos químicos son:

- plomo de pinturas a base de plomo,
- sílice cristalino de ladrillos y cemento y otros productos de albañilería, y
- arsénico y cromo de maderas tratadas químicamente.

El riesgo al que se expone varía, dependiendo de la frecuencia con la que realice este tipo de trabajo. Para reducir la exposición a estos productos químicos: trabaje en un área bien ventilada y póngase el equipo de seguridad indicado, tal como las máscaras contra polvo que están especialmente diseñadas para filtrar partículas microscópicas.

Makita Corporation

3-11-8, Sumiyoshi-cho,
Anjo, Aichi 446-8502 Japan

www.makita.com

885316H937
DHR263-1
EN, FRCA, ESMX
20180109